



地址：郑州荥阳汜水工业区 (450141)
Add: YUMING INDUSTRIAL PARK, XINGYANG CITY, ZHENGZHOU HENAN CHINA
Tel: +8618838296432
Fax: 0371-64892666
E-mail: yuming@ym-valves.com
sales@ym-valves.com

WEB: www.yuming-valves.com
www.ym-valves.com

FOR MORE INFORMATION ABOUT OUR TECHNOLOGY,
PLEASE VISIT HERE www.yuming-valves.com



宇明阀门集团
YUMING VALVE GROUP

Harbor the world a Better Tomorrow

— Warmly celebrate the 50th anniversary of Yuming valve group —

中国驰名商标
China Well-known Trademark



企业简介

Company Profile

宇明阀门集团有限公司位于“中国阀门之乡”荥阳，北临黄河，毗邻S314省道，连霍高速、陇海铁路，交通便利，物流发达。公司始建于1972年，工业园区占地面积82000平方米。现有员工500余人，各类专业技术人员80余人，注册资金1亿元。已成为集研发、制造、销售于一体的专业阀门制造商。

2021年，宇明阀门出口营业额突破2000万美元；2022年，宇明阀门出口营业额突破2500万美元，并试图在未来做的更好。在2021年新增两条生产线，主要生产大型工程类阀门(DN4000以下)；并在2021年底投资郑州一阀流体科技有限公司，拥有生产设备600多台，其中机加工、试验机、测量设备300多台，操作人员约400多人，我们拥有多年的阀门制造经验，并且拥有最专业的团队。我们想强调的是，在宇明的研发部门有6名高级工程师和12名相关的主要工程师帮助CAD绘图和技术支持，另外4名专家在QC部门。

除了优秀的生产团队，宇明阀门还拥有全面的销售管理，与全球客户打交道。95%的营业额来自出口俄罗斯、阿根廷、菲律宾、越南、印度尼西亚、哥伦比亚、智利、瑞典、挪威、比利时、法国、德国、罗马尼亚、意大利、西班牙、土耳其、以色列、伊朗、埃及、南非、澳大利亚、马来西亚、泰国、新加坡、美国、香港、台湾和韩国，与中外朋友合作共赢，建立了牢固的合作关系，同时更结下了深厚的情谊，为宇明阀门的发展注入了持久的活力。

选择“宇明”，选择“信任”。

Yuming Valve Group Co., Ltd. is located in Xingyang, the "Hometown of Valves in China", facing the Yellow River to the north, adjacent to S314 Provincial Highway, Lianhuo Expressway and Longhai Railway, with convenient transportation and developed logistics. The company was founded in 1972, and the industrial park covers an area of 82,000 square meters. There are more than 500 employees, more than 80 professional and technical personnel of various types, and a registered capital of 100 million yuan. It has become a professional valve manufacturer integrating R&D, manufacturing and sales.

2021, Yuming valve export turnover exceeded 20 million US dollars. In 2022, Yuming valve export turnover exceed 25 million US dollars, and is trying to do more in the future. In 2021, two new production lines has added, mainly producing bigger size (up to DN4000) engineering valves; and at the end of 2021, we invested in Zhengzhou Yiva Fluid Technology Co., Ltd., and we have more than 600 production facilities, including more than 300 machining, testing machines, and measuring equipment. about 400 operators, we have many years of valve manufacturing experience, and have the most professional team. We would like to emphasize that there are 6 senior engineers and 12 related main engineers in Yuming's R&D department to help with CAD drawing and technical support, and the other 4 experts are in the QC department.

In addition to an excellent production team, Yuming Valve also has a comprehensive sales management to deal with global customers. And 95% of the turnover comes from exports to Russia, Argentina, the Philippines, Vietnam, Indonesia, Colombia, Peru, Chile, Sweden, Norway, Belgium, France, Germany, Romania, Italy, Spain, Turkey, Israel, Iran, Egypt, South Africa, Australia, Malaysia, Thailand, Singapore, the United States, Hong Kong, Taiwan and South Korea, and win-win cooperation with Chinese and foreign friends, established a deep cooperative relationship, and at the same time forged a stronger friendship, which injected lasting vitality into the development of Yuming.

Select "Yuming", select "Trust"

YUMING VALVE GROUP

Expert in Industry Fluid System Control

企业资质

Enterprise Qualification

企业获得的资质和荣誉，是对宇明集团过去取得成绩的肯定，也是对宇明集团创造明日辉煌的鼓舞和鞭策！向新的台阶迈进，是宇明人顽强拼搏，永远追求的信念！

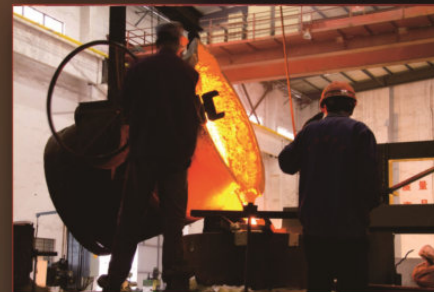
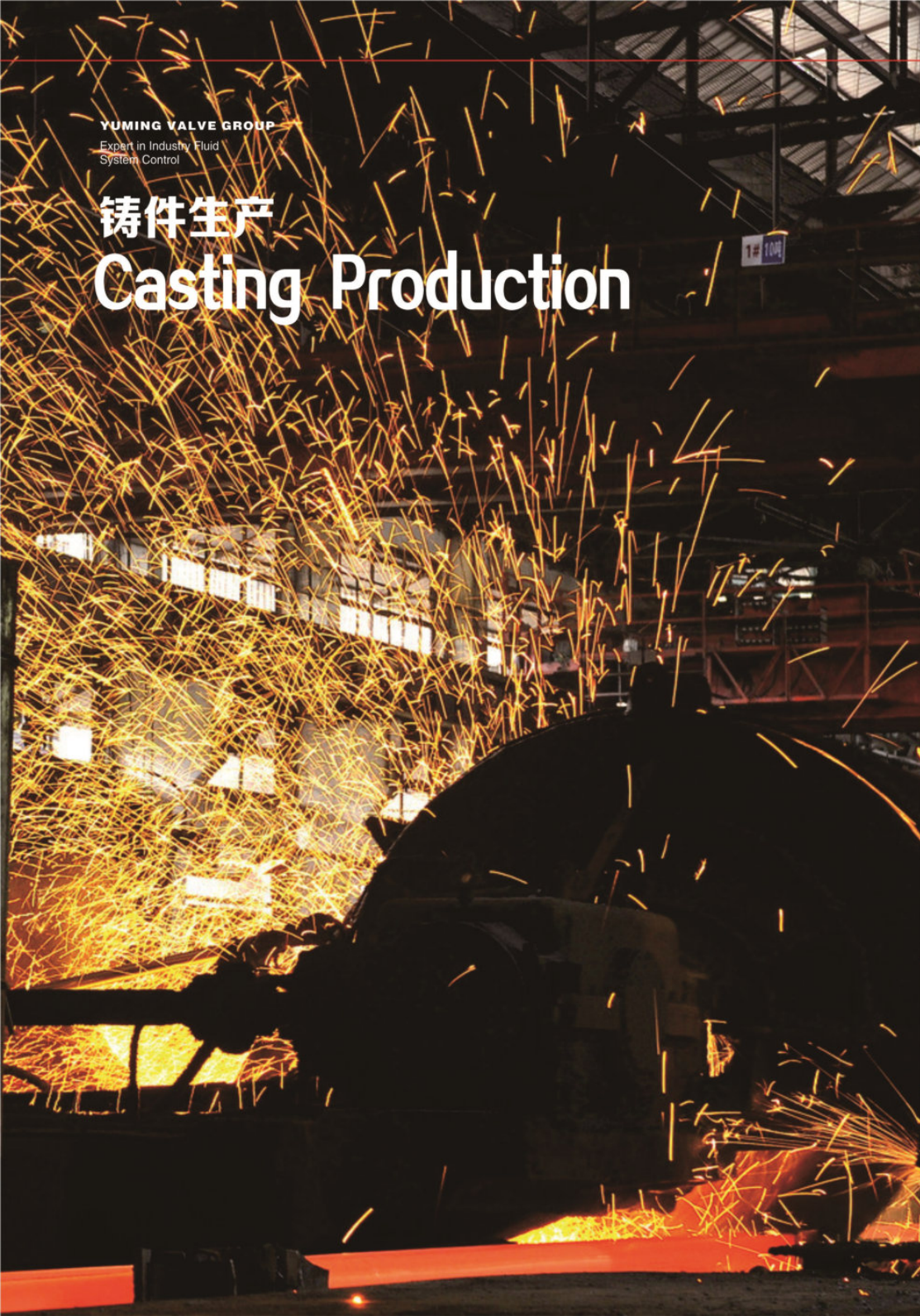
Qualifications and honors obtained by the enterprise, It is an affirmation of Yuming Group's achievements in the past, It is also an encouragement and spur to Yuming Group to create a brilliant tomorrow! to a new level,



YUMING VALVE GROUP

Expert in Industry Fluid
System Control

铸件生产 Casting Production



YUMING VALVE GROUP

 Expert in Industry Fluid
 System Control

生产装备

Production equipment

拥有铸造、加工、焊接、热处理等先进的加工设备和专业化的生产车间，不断完善产品加工工艺，严格控制产品制造的每一道工序、每一个环节，精益求精，确保宇明阀门的优良品质。

It has advanced processing equipment such as casting, machining, welding, heat treatment, and specialized production workshops, constantly improves product processing technology, strictly controls every process and every link of product manufacturing, and strives for excellence to ensure the excellent quality of Yuming valves.



YUMING VALVE GROUP

Expert in Industry Fluid
System Control

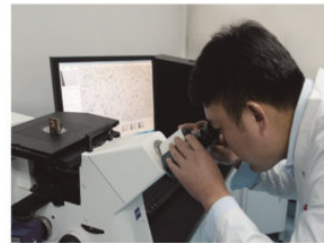
检测中心 Test Center



• 冲击试验机
Impact testing machine

为了提供高品质产品，公司配置了先进的检测设备以及完善的检测手段，建立了一支严格要求的品质管理队伍，实现了从原材料检测，生产过程检测，产品及应用全过程的质量控制。

In order to improve the quality of products, The company is equipped with advanced testing equipment and perfect testing methods, Established a strict quality management team, Realized from the detection of raw materials, production process testing, Quality control of the whole process of products and applications.



• 金相分析仪
Metallographic Analyzer



• 直读光谱仪
Direct Reading Spectrometer



• 试样制备机
Sample preparation machine

闸阀

Gate valve



Gate valve series

Rising stem soft sealing gate valve.....	01-02
Non-rising stem soft sealing gate valve.....	03-04
Wedge gate valve.....	05-07
Electric wedge gate valve.....	08-10
Pneumatic gate valve.....	11-12
API gate valve.....	13-15
DIN gate valve.....	16
DIN rising stem gate valve.....	17-18
DIN non-rising stem gate valve.....	19
JIS SS gate valve.....	20
Forging gate valve.....	21
High temperature and high pressure power station gate valve.....	22-23
Pound power station gate valve.....	24-26
Water seal gate valve.....	27-30
Slag gate valve.....	31
Flat gate valve.....	32-36
Insulation gate valve.....	37
Cryogenic gate valve.....	38-39
Resilient sealed gate valve.....	40
SS Internal thread gate valve.....	41
Copper gate valve.....	42
Cast wedge gate valve.....	43

YUMING VALVE GROUP

 Expert Industry Fluid
 System Control

闸阀系列

Gate valve series

Flow resistance is small. The medium channel inside the valve body is straight, the medium flows in a straight line, and the flow resistance is small.

It is more labor-saving when opening and closing. Compared with the globe valve, the gate movement direction is perpendicular to the flow direction of price and quality whether it is opened or closed.

The height is large and the opening and closing time is long. The opening and closing stroke of the gate is large, and the lifting is carried out through the screw.

The medium can flow in any direction and is easy to install. The gate valve channel is symmetrical on both sides.

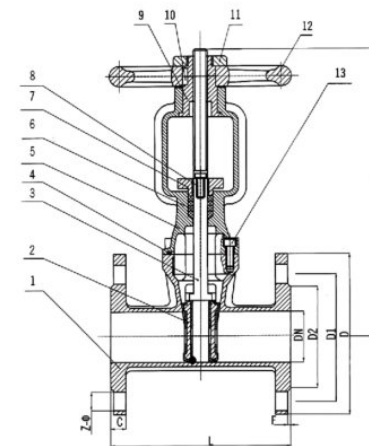
The structural length (the distance between the two connecting end faces of the shell) is small.

The shape is simple, the length of the structure is short, the manufacturing process is good, and it is suitable for a wide range of gardens. The structure is compact, the valve is rigid, the channel is smooth, the flow resistance is small, the sealing surface is made of stainless steel and hard alloy, the service life is long, the PTFE packing is used, the sealing is reliable, and the operation is light and flexible.



明杆软密封闸阀

Rising stem soft sealing gate valve



产品特点/Product features

明杆软密封闸阀可以较直观显示阀门开度，启闭迅速可靠，故常应用于消防及工业系统。一般安装于距地面较高位置。可广泛用于自来水、污水、建筑、石油、化工、食品、医药、轻纺、电力、船舶、冶金、能源系统等流体管线上作为调节和截流装置使用。

Open stem soft seal gate valve can be called intuitive display valve opening, open and close quickly and reliably, often used in fire and industrial systems. Generally installed in a high position from the ground. Can be widely used in tap water, sewage, construction, petroleum, chemical, food, medicine, textile, electric power, shipping, metallurgy, energy system and other fluid pipelines as a regulator and closure device.

技术要求/The technical requirements

1. 阀门设计制造按GB/24924的标准；
2. 阀门结构长度按GB/T12221的规定；
3. 检验与试验应符合GB/T13927的相关规定；
4. 法兰尺寸按GB/T17241.6的规定。

1. Valve design and manufacture according to GB/24924 standard;
2. The length of valve structure shall be in accordance with GB/T12221;
3. Inspection and test shall comply with the relevant provisions of GB/T13927;
4. Flange size according to GB/T17241.6.

性能规范/Performance Specifications

公称尺寸	40-1000		mm	
公称压力	1.0	1.6		
试验压力	强度试验	水	1.5	2.4
			1.1	1.8
			0.6	0.6
适用温度	0-80°C			
适用介质	水、污水等			

主要材料/Main material

序号	名称	材料
1	阀体	QT450
2	阀板	QT450+NBR
3	阀杆螺母	QT450
4	阀杆	20Cr13
5	中法兰密封圈	NBR
6	阀盖	QT450
7	O型圈	NBR
8	O型圈	NBR
9	沉头螺栓	35#
10	防尘套	NBR
11	圆头螺丝	35#
12	手轮	QT450
13	压盖	QT450
14	沉头螺栓	35#

主要外型尺寸及连接尺寸/Main dimensions and connection dimensions

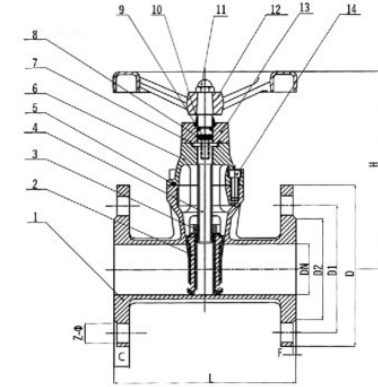
Z41X-10Q

DN	L	D	D1	D2	C	F	Z-φ	H
40	165	150	110	84	19	3	4-φ19	242
50	178	165	125	99	19	3	4-φ19	242
65	190	185	145	118	19	3	4-φ19	255
80	203	200	160	132	19	3	8-φ19	315
100	229	220	180	156	19	3	8-φ19	395
125	254	250	210	184	19	3	8-φ19	535
150	267	285	240	211	19	3	8-φ23	575
200	292	340	295	266	20	3	8-φ23	745
250	330	395	350	319	22	3	12-φ23	975
300	356	445	400	370	24.5	4	12-φ23	1005
350	381	505	460	429	24.5	4	16-φ23	1192
400	406	565	515	480	24.5	4	16-φ28	1335
450	432	615	565	530	25.5	4	20-φ28	1565
500	457	670	620	582	26.5	4	20-φ28	1755
600	508	780	725	682	30	5	20-φ31	1810
700	610	895	840	794	32.5	5	24-φ31	1550
800	660	1015	950	901	35	5	24-φ34	1750
900	711	1115	1050	1001	37.5	5	28-φ34	1950
1000	811	1230	1160	1112	40	5	28-φ37	2170

主要外型尺寸及连接尺寸/Main dimensions and connection dimensions

Z41X-16Q

DN	L	D	D1	D2	C	F	Z-φ	H
40	165	150	110	84	19	3	4-φ19	242
50	178	165	125	99	19	3	4-φ19	242
65	190	185	145	118	19	3	4-φ19	255
80	203	200	160	132	19	3	8-φ19	315
100	229	220	180	156	19	3	8-φ19	395
125	254	250	210	184	19	3	8-φ19	535
150	267	285	240	211	19	3	8-φ23	575
200	292	340	295	266	20	3	12-φ23	745
250	330	405	355	319	22	3	12-φ28	975
300	356	460	410	370	24.5	4	12-φ28	1005
350	381	520	470	429	26.5	4	16-φ28	1192
400	406	580	525	480	28	4	16-φ31	1335
450	432	640	585	548	30	4	20-φ31	1565
500	457	715	650	609	31.5	4	20-φ34	1755
600	508	840	770	720	36	5	20-φ37	1810
700	610	910	840	794	39.5	5	24-φ37	1550
800	660	1025	950	901	43	5	24-φ40	1750
900	711	1125	1050	1001	46.5	5	28-φ40	1950
1000	811	1255	1170	1112	50	5	28-φ43	2170



产品特点/Product features

暗杆软密封闸阀利用闸板整体包胶产生变形补偿作用达到良好的密封效果, 克服了一般闸阀密封不良、漏水和生锈的现象, 更有效的节约安装空间。可广泛用于自来水、污水、建筑、石油、化工、食品、医药、轻纺、电力、船舶、冶金、能源系统等流体管线上作为调节和截流装置使用。

Dark stem soft seal gate valve uses the whole gate to produce deformation compensation effect to achieve good sealing effect, overcome the general gate valve sealing bad, water leakage and rust phenomenon, more effectively save installation space. Can be widely used in tap water, sewage, construction, petroleum, chemical, food, medicine, textile, electric power, shipping, metallurgy, energy system and other fluid pipelines as a regulator and closure device.

技术要求/The technical requirements

1. 阀门设计制造按GB/24924的标准;
2. 阀门结构长度按GB/T12221的规定;
3. 检验与试验应符合GB/T13927的相关规定;
4. 法兰尺寸按GB/T17241.6的规定。

1. Valve design and manufacture according to GB/24924 standard;
2. The length of valve structure shall be in accordance with GB/T12221;
3. Inspection and test shall comply with the relevant provisions of GB/T13927;
4. Flange size according to GB/T17241.6.

性能规范/Performance Specifications

公称尺寸	40-1000		mm	
公称压力	1.0		1.6	
试验压力	强度试验	水	1.5	2.4
			1.1	1.8
			0.6	0.6
密封试验	水	0.6	0.6	
气封试验				
适用温度	0-80°C			
适用介质	水、污水等			

主要材料/Main material

序号	名称	材料
1	阀体	QT450
2	阀板	QT450+NBR
3	阀杆螺母	QT450
4	阀杆	20Cr13
5	中法兰密封圈	NBR
6	阀盖	QT450
7	O型圈	NBR
8	O型圈	NBR
9	沉头螺栓	35#
10	防尘套	NBR
11	圆头螺丝	35#
12	手轮	QT450
13	压盖	QT450
14	沉头螺栓	35#

主要外型尺寸及连接尺寸/Main dimensions and connection dimensions

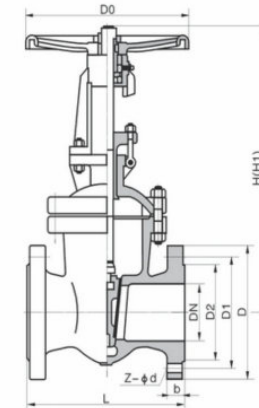
Z45X-10Q

DN	L	D	D1	D2	C	F	Z-φ	H
40	165	150	110	84	19	3	4-φ19	240
50	178	165	125	99	19	3	4-φ19	240
65	190	185	145	118	19	3	4-φ19	260
80	203	200	160	132	19	3	8-φ19	275
100	229	220	180	156	19	3	8-φ19	380
125	254	250	210	184	19	3	8-φ19	410
150	267	285	240	211	19	3	8-φ23	435
200	292	340	295	266	20	3	8-φ23	630
250	330	395	350	319	22	3	12-φ23	645
300	356	445	400	370	24.5	4	12-φ23	697
350	381	505	460	429	24.5	4	16-φ23	802
400	406	565	515	480	24.5	4	16-φ28	842
450	432	615	565	530	25.5	4	20-φ28	1060
500	457	670	620	582	26.5	4	20-φ28	1170
600	508	780	725	682	30	5	20-φ31	1300
700	610	895	840	794	32.5	5	24-φ31	1550
800	660	1015	950	901	35	5	24-φ34	1750
900	711	1115	1050	1001	37.5	5	28-φ34	1950
1000	811	1230	1160	1112	40	5	28-φ37	2170

主要外型尺寸及连接尺寸/Main dimensions and connection dimensions

Z45X-16Q

DN	L	D	D1	D2	C	F	Z-φ	H
40	165	150	110	84	19	3	4-φ19	240
50	178	165	125	99	19	3	4-φ19	240
65	190	185	145	118	19	3	4-φ19	260
80	203	200	160	132	19	3	8-φ19	275
100	229	220	180	156	19	3	8-φ19	380
125	254	250	210	184	19	3	8-φ19	410
150	267	285	240	211	19	3	8-φ23	435
200	292	340	295	266	20	3	12-φ23	630
250	330	405	355	319	22	3	12-φ28	645
300	356	460	410	370	24.5	4	12-φ28	697
350	381	520	470	429	26.5	4	16-φ28	802
400	406	580	525	480	28	4	16-φ31	842
450	432	640	585	548	30	4	20-φ31	1060
500	457	715	650	609	31.5	4	20-φ34	1170
600	508	840	770	720	36	5	20-φ37	1300
700	610	910	840	794	39.5	5	24-φ37	1550
800	660	1025	950	901	43	5	24-φ40	1750
900	711	1125	1050	1001	46.5	5	28-φ40	1950
1000	811	1255	1170	1112	50	5	28-φ43	2170



产品规范 Product specification	设计规范 Design spec	结构长度 Face to face	连接法兰 Flange end	试验与检验 Test & check	压力-温度 Pressure-temp	产品标识 Marking
	GB/T12234	JB/T7746	JB/T79	GB/T13927-92	GB/T9131	GB/T12220

1. 试验压力 Test pressure

公称压力 PN(MPa) Nominal pressure	壳体 Shell	试验压力(MPa) Test pressure		上密封 Back seat
		密封(液)Seal 密封(气)Seal	密封(气)Seal	
1.6	2.4	1.8	0.6	1.8
2.5	3.8	2.8	0.6	2.8
4.0	6.0	4.4	0.6	4.4
6.4	9.6	7.0	0.6	7.0
10.0	15.0	11.0	0.6	11.0
16.0	24.0	18.0	0.6	18.0

2. 适用介质及适用温度
Applicable medium & Applicable temperature

壳体材料 Shell material	适用介质 Applicable medium	适用温度℃ Applicable temperature
碳钢(C型) Carbon steel	水、蒸汽、油品 Water, steam, oil goods	≤425
铬镍钛钢(P型) Cr.Ni.Ti steel	硝酸类 Nitric acid	≤200
铬镍钼钛钢(R型) Cr.Ni.Mo.Ti steel	醋酸类 Acetic acid	≤200
铬钼钢(I型) Cr.Mo steel	水、蒸汽、油品 Water, steam, oil goods	≤550

阀体、阀盖 Body bonnet	闸板、闸座 Wedge disc, seat ring	闸杆 Stem	闸杆螺母 Yoke nut	填料 Packing	手轮 Hand wheel
碳素钢 Carburizing steel	优质碳钢+硬质合金或不锈钢 High-grade carbon steel+carbide alloy or stainless steel	铬不锈钢 Cr.stainless steel	铝青铜 Aluminum bronze Bronze	石墨石棉盘根 Graphite, asbestos coils	可锻铸铁 Foraeable cast-iron
铬镍钛钢 Cr.Ni, steel	不锈钢、不锈钢+硬质合金 Stainless steel or+carbide alloy	铬镍钛不锈钢 Cr.Ni.Ti stainless steel	铝青铜 Aluminum bronze Bronze	浸聚四氟乙烯 Dipping polytetrafluoroethylene	可锻铸铁 Foraeable cast-iron
铬镍钼钛钢 Cr.Ni.Mo.Ti steel	不锈钢、不锈钢+硬质合金 Stainless steel or+carbide alloy	铬镍钼钛不锈钢 Cr.Ni.Mo.Ti stainless steel	铝青铜 Aluminum bronze Bronze	烯石棉盘根 Asbestos coil	可锻铸铁 Foraeable cast-iron
铬钼钢 Cr, Mo steel	合金钢+硬质合金 Alloy steel+carbide alloy	铬钼钒钢 Cr, Mo Al steel	铝青铜 Aluminum bronze Bronze	柔性石墨 Flexibie graphite	可锻铸铁 Foraeable cast-iron

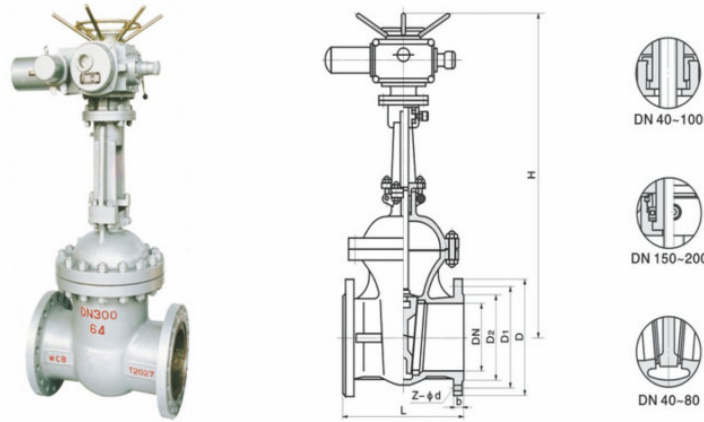
电动楔式闸阀

Electric wedge gate valve



电动楔式闸阀

Electric wedge gate valve



主要外形和连接尺寸/Main outline and connection dimensions 单位Unit:mm

公称通径 DN	主要外形尺寸和连接尺寸 (mm) Main external and connecting dimensions								电动装置 Electric device	WT(Kg)
	L	D	D1	D2	b	f	Z-d	H		
	Z940H Z941Y-16C	Z940Y-16P Z941Y-16P	Z940Y-16R Z941Y-16R	Z940W-16P Z941W-16P	Z940W-16R Z941W-16R	Z940Y-16I Z941Y-16I				
40	200	145	110	85	16	3	4-18	595	DZW15	56
50	250	160	125	100	16	3	4-18	653	DZW20	59
65	265	180	145	120	18	3	4-18	665	DZW20	62
80	280	195	160	135	20	3	8-18	725	DZW20	74
100	300	215	180	155	20	3	8-18	787	DZW20	92
150	350	280	240	210	24	3	8-23	955	DZW30	161
200	400	335	295	265	26	3	12-23	1105	DZW30	219
250	450	405	355	320	30	3	12-25	1343	DZW45	376
300	500	460	410	375	30	3	12-25	1516	DZW60	484
350	550	520	470	435	34	4	16-25	1678	DZW60	695
400	600	580	525	485	36	4	16-30	1849	DZW90	977
450	650	640	585	545	40	4	20-30	1937	DZW90	1033
500	700	705	650	608	44	4	20-34	2234	DZW120	1087
600	800	840	770	718	48	5	20-41	3432	DZW180	1357
700	900	910	840	788	50	5	24-41	2489	DZW250	1481
800	1000	1020	950	898	52	5	24-41	2643	DZW350	1845

注: DN700、DN800的型号为Z942型。Note: DN700, DN800 type is Z942.

主要外形和连接尺寸/Main outline and connection dimensions 单位Unit:mm

公称通径 DN	主要外形尺寸和连接尺寸 (mm) Main external and connecting dimensions								电动装置 Electric device	WT (Kg)
	L	D	D1	D2	b	f	Z-d	H		
	Z940H Z941Y-25C	Z940Y-25P Z941Y-25P	Z940Y-25R Z941Y-25R	Z940W-25P Z941W-25P	Z940W-25R Z941W-25R	Z940Y-25I Z941Y-25I				
40	200	145	110	85	18	3	4-18	595	DZW15	60
50	250	160	125	100	20	3	4-18	653	DZW20	64
65	265	180	145	120	22	3	8-18	665	DZW20	65
80	280	195	160	135	22	3	8-18	725	DZW20	79
100	300	230	190	160	24	3	8-23	787	DZW20	98
125	325	270	220	188	28	3	8-25	902	DZW30	154
150	350	300	250	218	30	3	8-25	955	DZW30	168
200	400	360	310	278	34	3	12-25	1105	DZW45	219
250	425	425	370	332	36	3	12-30	1343	DZW45	390
300	450	485	430	390	40	4	12-30	1516	DZW60	505
350	550	550	490	448	44	4	16-30	1678	DZW60	736
400	600	610	550	505	48	4	16-34	1849	DZW90	1027
450	650	660	600	555	50	4	16-34	1937	DZW90	1139
500	700	730	660	610	52	4	20-34	2234	DZW120	1228
600	800	840	770	718	56	5	20-41	2432	DZW180	1502
700	900	955	875	815	60	5	20-41	2489	DZW250	1617
800	1000	1070	990	930	64	5	24-48	2643	DZW350	1923

注: DN700、DN800的型号为Z942型。Note: DN700, DN800 type is Z942.

主要外形和连接尺寸/Main outline and connection dimensions 单位Unit:mm

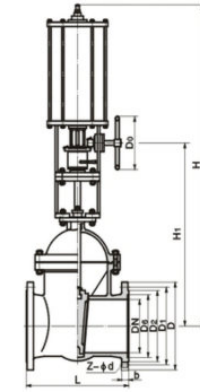
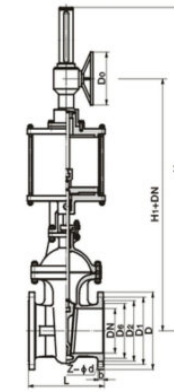
公称通径 DN	主要外形尺寸和连接尺寸 (mm) Main external and connecting dimensions										电动装置 Electric device	WT (Kg)
	L	D	D1	D2	D6	b	Z-d	f	f2	H		
	Z940H Z941Y-40	Z940Y-40P Z941Y-40P	Z940Y-40R Z941Y-40R	Z940W-40P Z941W-40P	Z940W-40R Z941W-40R	Z940Y-40I Z941Y-40I						
40	200	145	110	85	76	18	4-18	3	4	617	DZW15	46
50	250	160	125	100	88	20	4-18	3	4	665	DZW20	58
65	280	180	145	120	110	22	8-18	3	4	680	DZW20	68
80	310	195	160	135	121	22	8-18	3	4	752	DZW20	80
100	350	230	190	160	150	24	8-23	3	4.5	846	DZW30	108
150	450	300	250	218	204	30	8-25	3	4.5	1087	DZW45	258
200	550	375	320	282	260	38	12-30	3	4.5	1243	DZW45	366
250	650	445	385	345	313	42	12-34	3	4.5	1429	DZW60	472
300	750	510	450	408	364	46	16-34	4	4.5	1608	DZW90	673
350	850	570	510	465	422	52	16-34	4	5	1738	DZW90	804
400	950	655	585	535	474	58	16-41	4	5	1897	DZW120	1081
450	1050	680	610	560	524	60	20-41	4	5	2104	DZW180	1259
500	1150	755	670	612	576	62	20-48	4	5	2401	DZW180	1348

主要外形和连接尺寸/Main outline and connection dimensions

单位Unit:mm

公称通径 DN	主要外形尺寸和连接尺寸 (mm) Main external and connecting dimensions										电动装置 Electric device	WT (Kg)
	L	D	D1	D2	D6	b	Z-d	f1	f2	H		
	Z940H Z941Y-64	Z940 Z941Y-64P	Z940 Z941Y-64R	Z940 Z941W-64P	Z940 Z941W-64R	Z940 Z941Y-64I						
50	250	175	135	105	88	26	4-23	3	4	667	DZW20	68
65	280	200	160	130	110	28	8-23	3	4	685	DZW20	72
80	310	210	170	140	121	30	8-23	3	4	748	DZW30	88
100	350	250	200	168	150	32	8-25	3	4.5	845	DZW30	117
150	450	340	280	240	204	88	8-34	3	4.5	1009	DZW45	314
200	550	405	345	300	260	44	12-34	3	4.5	1253	DZW60	432
250	650	470	400	345	313	48	12-41	3	4.5	1449	DZW60	595
300	750	530	460	412	361	54	16-41	4	4.5	1867	DZW90	721
350	850	595	525	475	422	60	16-41	4	5	1931	DZW120	863
400	950	670	585	525	474	66	16-48	4	5	2017	DZW180	1129
500	1150	800	705	640	576	70	20-54	4	5	2459	DZW250	1493
	Z940H Z941Y-100	Z940 Z941Y-100P	Z940 Z941Y-100R	Z940 Z941W-100P	Z940 Z941W-100R	Z940 Z941Y-100I						
50	250	195	145	112	88	28	4-25	3	4	781	DZW20	78
65	280	220	170	138	110	32	8-25	3	4	830	DZW20	96
80	310	230	180	148	121	34	8-25	3	4	865	DZW30	126
100	350	265	210	172	150	38	8-30	3	4.5	1179	DZW30	134
150	450	350	290	250	204	46	12-34	3	4.5	1201	DZW60	352
200	550	430	360	312	260	54	12-41	3	4.5	1611	DZW90	484
250	650	500	430	382	313	60	12-41	3	4.5	1903	DZW90	608
300	750	585	500	442	364	70	16-48	4	4.5	2054	DZW120	757
350	850	655	560	498	422	76	16-54	4	5	2132	DZW180	994
400	950	715	620	558	474	80	16-54	4	5	2321	DZW250	1269
	Z940H Z941Y-160	Z940 Z941Y-160P	Z940 Z941Y-160R	Z940 Z941W-160P	Z940 Z941W-160R	Z940 Z941Y-160I						
50	300	215	165	132	88	36	8-25	3	4	905	DZW20	101
65	340	245	190	152	110	44	8-30	3	4	968	DZW20	137
80	390	260	205	168	121	46	8-30	3	4	978	DZW30	167
100	450	300	240	200	150	48	8-34	3	4.5	1043	DZW30	211
125	525	355	285	238	176	60	8-41	3	4.5	1248	DZW60	424
150	600	390	318	270	204	66	12-41	3	4.5	1394	DZW90	588
200	750	480	400	345	250	78	12-48	3	4.5	1621	DZW120	839

注: 根据用户需要可提供气动和齿轮传动闸阀产品。
Note: Both pneumatic and gear driving gatw valves can be supplied per users' requirement.



主要外形和连接尺寸/Main outline and connection dimensions

单位Unit:mm

公称通径 DN	主要外形尺寸和连接尺寸 (mm) Main external and connecting dimensions									WT (kg)
	L	D	D1	D2	b	Z-φd	H	H1	D0	
	CZ6s40H-16C CZ6s40Y-16P CZs40Y-16R									
50	250	160	125	100	16	4-φ18	950	570	180	38
65	270	180	145	120	18	4-φ18	1050	596	180	53
80	280	195	160	135	20	8-φ18	1080	635	200	72
100	300	215	180	155	20	8-φ18	1145	645	250	90
125	325	245	210	185	22	8-φ18	1210	685	250	120
150	350	280	240	210	24	8-φ18	1300	720	320	132
200	400	335	295	265	26	12-φ23	1660	940	400	258
250	450	405	355	320	30	12-φ25	1790	1020	400	297
300	500	460	410	375	30	12-φ25	1990	1150	450	420
350	550	520	470	435	34	16-φ25	2090	1170	450	558
400	600	580	525	485	36	16-φ30	2290	1325	500	540
450	650	640	585	545	40	20-φ30	2485	1465	500	1110
500	700	705	650	608	44	20-φ34	2640	1590	550	1380
600	800	840	770	718	48	20-φ41	2940	1720	550	1620
700	900	910	840	788	50	24-φ41	3450	1960	600	1966
800	1000	1020	950	898	52	24-φ41	3650	2190	600	2282
900	1100	1120	1050	998	54	28-φ41	3815	2400	800	2495
1000	1200	1255	1170	1110	56	28-φ48	4000	2650	800	2760

主要外形和连接尺寸/Main outline and connection dimensions

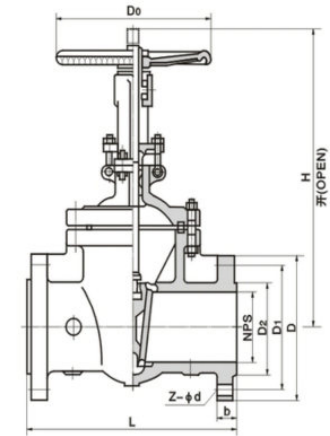
单位Unit:mm

公称直径 DN	主要外形尺寸和连接尺寸 (mm) Main external and connecting dimensions										WT (kg)
	L	D	D1	D2	b	Z-φd	H	H1	D0		
	CZ6s40H-25 CZ6s40Y-25P CZ6s40Y-25R										
50	250	160	125	100	20	4-18	950	570	180	38	
65	270	180	145	120	22	8-18	1050	596	180	55	
80	280	195	160	135	22	8-18	1080	635	200	76	
100	300	230	190	160	24	8-23	1145	645	250	94	
125	325	270	220	188	28	8-25	1210	685	250	126	
150	350	300	250	218	30	8-25	1300	720	320	136	
200	400	360	320	278	34	12-25	1660	940	400	265	
250	450	425	370	332	36	12-30	1790	1020	400	300	
300	500	485	430	390	50	16-30	1990	1150	450	436	
350	550	550	490	448	44	16-34	2090	1170	450	580	
400	600	610	550	505	48	16-34	2290	1325	500	860	
450	650	660	600	555	55	20-34	2485	1465	500	1260	
500	700	730	660	610	52	20-41	2640	1590	550	1420	
600	800	840	770	718	56	20-41	2940	1720	550	1710	
700	900	955	875	815	60	21-48	3450	1960	600	2105	
800	1000	1070	990	930	64	24-48	3650	2190	600	2310	
900	1100	1180	1090	1025	66	28-54	3815	2400	800	2620	
1000	1200	1305	1210	1140	68	28-58	4000	2650	800	2960	

主要外形和连接尺寸/Main outline and connection dimensions

单位Unit:mm

公称直径 DN	主要外形尺寸和连接尺寸 (mm) Main external and connecting dimensions										WT (kg)
	L	D	D1	D2	D6	b	Z-φd	H	H1	D0	
	CZ6s40H-40 CZ6s40Y-40P CZ6s40Y-40R										
50	250	160	125	100	88	20	4-18	950	570	200	42
65	280	180	145	120	110	22	8-18	1050	596	200	68
80	320	195	160	135	121	22	8-18	1080	635	250	84
100	350	230	190	160	150	24	8-23	1145	645	320	102
125	400	270	220	188	176	28	8-25	1210	700	320	135
150	450	300	250	218	204	30	8-25	1330	750	400	156
200	550	375	320	282	260	38	12-30	1660	940	400	276
250	650	445	385	345	313	42	12-34	1820	1050	450	306
300	750	510	450	408	364	46	16-34	1990	1150	450	510
350	850	570	510	465	422	52	16-34	2110	1190	500	720
400	950	655	585	535	474	58	16-41	2335	1370	550	1050
450	1050	680	610	560	524	60	20-41	2490	1510	550	1320
500	1150	755	670	612	576	62	20-48	2640	1590	550	1800
600	1350	890	795	730	678	62	20-54	2940	1720	600	2160



产品执行标准/Product execution standard

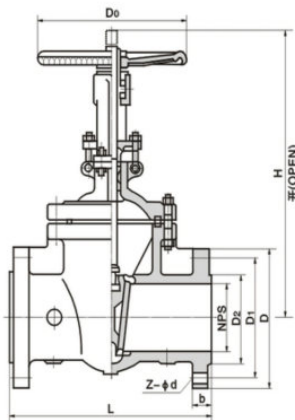
设计与制造 Desing And Manufacture	结构长度 Face to face/ End to end	法兰尺寸 Flange Dimension	对焊连接尺寸 Butt welding dimension	压力~温度 Pressure Temperature Lating	试验~检验 Inspection and test
API60	ANSI B16.10	ANSI B16.5	ANSI B16.25	ANSI B16.34	API598

产品性能规范/Product performance specification

公称压力 (Lb) Nominal Pressore	强度试验Shell test		水密封试验Water seal test		气密封试验Air seal test	
	Mpa	Lbf/in ²	Mpa	Lbf/in ²	Mpa	Lbf/in ²
150	3.1	450	2.2	315	0.5~0.7	60~100
300	7.8	1125	5.6	815		
600	15.3	2225	11.2	1630		
900	23.1	3350	16.8	2440		
1500	38.4	5575	28.1	4080		
2500	64.6	9367	47.4	6873		

主要零件材料及性能/Main parts material and performance

体、盖、瓣 Body Cover disc	阀杆 Stem	密封面 Sealing Face	垫片 (环) Sealing shim	填料 Packing	工作温度 (°C) Working temperature	适用介质 Suitable medium
WCB	2Cr13	13Cr STL 本体材料 With bodymater rial PTFE 尼龙 Nylon	增强柔性石墨 13Cr/柔性石墨 Enhanced Flexible 1Cr13/Flexible graphite SFB-2 08软钢 08Soft steel F304 F316 F304L F316L	柔性石墨 增强柔性石墨 Flexible graphite enhanced flexible graphite SFB/260 SFP/260 PTFE	≤425	水、蒸气、油品 Water Steam Petroleum Products
WC1	38CrMoAl 25Cr2Mov				≤450	
WC6					≤540	
WC9					≤570	
C5 C12					≤540	
CF8	F304				≤600	硝酸、醋酸、尿素 Nitric acid Aceic acid
CF3	F316					
CF8M	F304L					
CF3M	F316L					



主要外形和连接尺寸/Main outline and connection dimensions

单位Unit:mm

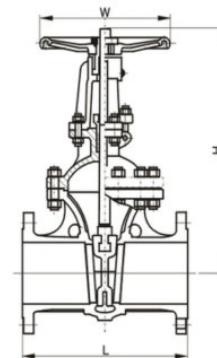
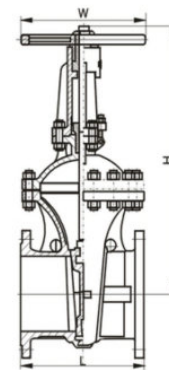
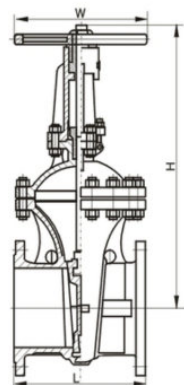
磅级 Class	规格 in	口径 DN	单位 Unit	L	H(全开) OPEN	D	D1	D2	b	Z-φd	Do
150Lb	2	50	in	7.00	16.10	6.00	4.75	3.62	0.75	4-0.75	8.00
			mm	178	409	152	120.5	92	19.1	4-19	200
	3	80	in	8.00	20.00	7.50	6.00	5.00	0.94	4-0.75	10.00
			mm	203	570	90	152.5	127	23.9	4-19	250
	4	100	in	9.00	23.20	9.00	7.50	6.19	0.94	8-0.75	10.00
			mm	229	590	229	190.5	157	23.9	8-19	250
	6	150	in	10.50	24.80	11.00	9.50	8.50	1.00	8-0.88	12.00
			mm	267	630	279	241.5	216	25.4	8-22	300
	8	200	in	11.50	37.80	13.50	11.75	10.62	12.12	8-0.88	3.88
			mm	292	960	343	298.5	270	28.5	8-22	350
	10	250	in	13.00	45.60	16.00	14.25	12.75	11.9	12-1.00	15.70
			mm	330	1158	406	362	324	30.2	12-25	400
	12	300	in	14.00	54.30	19.00	17.00	15.00	1.25	12-1.00	17.70
			mm	356	1378	483	432	381	31.8	12-25	450
	14	350	in	15.00	60.75	21.00	18.75	16.25	1.38	12-1.12	19.70
			mm	381	1543	533	476.5	413	35	12-29	50
	16	400	in	16.00	68.40	23.50	21.25	18.50	1.44	16-1.12	23.6
			mm	406	1738	597	539.5	470	36.6	16-29	600
	18	450	in	17.00	74.10	25.00	22.75	21.00	1.56	16-1.25	23.60
			mm	432	1959	635	578	533	39.7	16-32	600
20	500	in	18.00	87.20	27.50	25.00	23.00	1.69	20-1.25	26.80	
		mm	457	2214	698	635	584	42.9	20-32	680	
24	600	in	20.00	102.3	32.00	29.50	27.25	1.88	20-1.38	29.90	
		mm	508	2599	813	749.5	692	47.7	20-35	760	
30	750	in	24.00	125.3	38.75	36.00	33.75	2.94	28-1.38	36.00	
		mm	610	3183	985	914	857	74.5	28-35	915	
36	900	in	28.00	147.00	46.00	42.75	40.25	3.56	32-1.62	36.00	
		mm	711	3737	1170	1086	1022	90.5	32.41	915	

主要外形和连接尺寸/Main outline and connection dimensions

单位Unit:mm

磅级 Class	规格 in	口径 DN	单位 Unit	L	H(全开) OPEN	D	D1	D2	b	Z-φd	Do
300Lb	2	50	in	8.50	16.70	6.5	5.00	3.62	0.88	8-0.75	8.0
			mm	216	424	165	127	92	22.3	8-19	200
	3	80	in	11.15	21.00	8.25	6.62	5.00	1.12	8-0.88	10
			mm	283	535	210	168	127	28.5	8-22	250
	4	100	in	12.00	24.20	10.0	7.88	6.19	1.25	8-0.88	10
			mm	305	615	254	200	157	31.8	8-22	250
	6	150	in	15.87	31.30	12.50	10.62	8.5	1.44	8-0.88	14
			mm	403	795	318	270	216	36.6	12-22	350
	8	200	in	16.50	39.90	15.0	13.0	10.62	1.62	12-1.0	15.7
			mm	419	1012	381	330	270	41.3	12-25	400
	10	250	in	18.00	48.540	17.50	15.25	12.75	1.88	16-1.12	17.7
			mm	457	1231	444	387.5	324	47.7	16-29	450
	12	300	in	19.75	57.0	20.50	17.75	15.00	2.00	16-1.25	19.7
			mm	502	1450	521	451	381	50.8	16-32	500
	14	350	in	30.00	64.8	23.00	20.25	16.25	2.12	20-1.25	23.6
			mm	762	1645	584	514.5	413	54.0	20-32	600
	16	400	in	33.00	72.50	25.50	20.25	18.50	2.25	20-1.38	23.6
			mm	838	1814	648	571.5	470	57.2	20-35	600
	18	450	in	36.00	76.50	28.00	24.75	21.00	2.38	24-1.38	26.8
			mm	914	1943	711	628.5	533	60.4	24-35	680
20	500	in	39.00	84.80	30.50	27.0	23.0	2.50	24-1.38	38	
		mm	991	2154	775	686	584	63.5	24-35	760	
24	600	in	45.00	100.50	36.0	32.0	27.25	2.75	24-1.62	36	
		mm	1143	2553	914	813	692	69.9	24-41	915	

磅级 Class	规格 in	口径 DN	单位 Unit	L	H(全开) OPEN	D	D1	D2	b	Z-φd	Do
600Lb	2	50	in	11.50	18	6.5	5.00	3.62	1.0	8-0.75	10
			mm	292	458	165	127	92	25.4	8-19	250
	3	80	in	14.00	22.50	8.25	6.62	5.00	1.25	8-0.88	10
			mm	356	570	210	168	127	31.8	8-22	250
	4	100	in	17.00	27.2	10.75	8.50	6.19	1.5	8-1.0	14
			mm	432	390	273	216	157	38.1	8-25	350
	6	150	in	22	35.8	14	11.50	8.50	1.88	12-1.12	18
			mm	559	910	356	292	216	47.7	12-29	450
	8	200	in	26.00	41.9	16.5	13.75	10.62	2.19	12-1.25	19.7
			mm	600	1064	419	349	270	55.6	12-32	500
	10	250	in	31.00	49.5	20	17.00	12.75	2.5	16-1.38	23.6
			mm	787	1257	508	432	324	63.5	16-35	600
	12	300	in	33	57.8	22	19.25	15.00	2.62	20-1.38	26.8
			mm	838	1468	559	489	381	66.7	20-35	680
	14	350	in	35	63.9	23.75	20.75	16.25	2.75	20-1.50	26.9
			mm	889	1623	603	527	413	69.9	20-38	760
	16	400	in	39	71.5	27	23.75	18.50	3.0	20-1.62	26.9
			mm	991	1816	686	603	470	76.2	20-41	760
	18	450	in	43	82.7	29.25	25.75	21.00	3.25	20-10.75	36
			mm	1092	2100	743	654	533	82.6	20-45	915
20	500	in	47	88.6	32	28.5	23.00	3.5	24-1.75	37.4	
		mm	1194	2250	813	724	584	88.9	24-45	950	
24	600	in	55	107.5	37	33.0	27.25	4.0	24-2.0	39.4	
		mm	1397	2730	940	838	692	102	24-51	1000	



技术规范/Technical specification

结构长度 Structural formation	BB-GB-OS&Y
驱动方式 Driving maner	手动 Hand-operated
	电动 Electric-actuated
设计标准 Desige standard	DIN3352
结构长度 Face to face	DIN3202
连接法兰 Flange end	DIN2543-2547
试验与检验 Test & check	DIN3230

产品性能规范/Product performance specification

公称压力(MPa) Nominal pressure	壳体试验压力(MPa) Shell Test pressure	密封试验压力(MPa) Sealing Test pressure	适用温度℃ Applicable temperature	适用介质 Applicable medium
1.6	2.4	1.76	-110~600℃	水、蒸气、油品等 Water, steam, oil goods
2.5	3.75	2.75		
4.0	6.0	4.4		
6.4	9.6	7.04		

主要零部件材料/Main part material

壳体 Body	GS-C25								1.4308		
阀瓣 Disc	GS-C25		1.4308		1.4408		Monel		1.4308		
阀杆 Stem	13Cr		1.4308		1.4408		Monel		F304		
阀瓣密封面 Wedge disc sealing face	13Cr	13Cr	STL	1.4308	STL	1.4408	STL	Monel	1.4308	1.4308	STL
阀座密封面 Seat ring sealing face	13Cr	STL	STL	1.4308	STL	1.4408	STL	Monel	1.4308	STL	STL
壳体 Body	1.4408				1.4306				1.4301		
阀瓣 Disc	1.4408				1.4306				1.4301		
阀杆 Stem	1.4408				1.4306				1.4301		
阀瓣密封面 Wedge disc sealing face	1.4408	1.4308	STL	1.4306	1.4306	STL	1.4301	1.4301	STL		
阀座密封面 Seat ring sealing face	1.4408	STL	STL	1.4306	STL	STL	1.4301	STL			

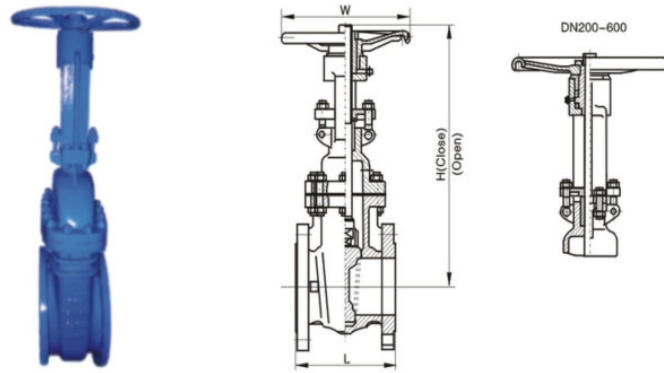
主要外形和连接尺寸/Main outline and connection dimensions

压力等级 Presstre (MPa)	PN1.6MPa/F5系列													
口径 Size(mm)	50	65	80	100	125	150	200	250	300	350	400	450	500	600
L	250	270	280	300	325	350	400	450	500	550	600	650	700	800
H	417	452	530	607	720	790	885	1014	1190	1350	1460	1630	1800	2200
W	200	280	280	300	350	350	400	450	500	600	600	650	700	800
重量 Weight(Kg)	16	25	30	55	75	98	150	245	353	490	750	985	1063	1390

压力等级 Presstre (MPa)	PN2.5MPa/F5系列													
口径 Size(mm)	50	65	80	100	125	150	200	250	300	350	400	450	500	600
L	250	270	280	300	325	350	400	450	500	550	600	650	700	800
H	417	452	530	607	720	790	885	1014	1190	1350	1460	1630	1800	2200
W	200	280	280	300	350	350	400	450	500	600	600	650	700	800
重量 Weight(Kg)	16	31	43	58	82	103	180	265	385	647	835	1050	1130	1500

压力等级 Presstre (MPa)	PN4.0MPa/F5系列													
口径 Size(mm)	50	65	80	100	125	150	200	250	300	350	400	450	500	600
L	250	290	310	350	400	450	550	650	750	850	950	1050	1150	1350
H	407	456	604	607	720	780	875	1260	1480	1605	1788	1956	2168	2601
W	200	280	300	350	350	400	450	500	500	600	650	700	700	800
重量 Weight(Kg)	18	32	47	60	95	130	220	290	490	760	900	1250	1450	1700

压力等级 Presstre (MPa)	PN6.4MPa/F5系列													
口径 Size(mm)	50	65	80	100	125	150	200	250	300	350	400	450	500	600
L	250	290	310	350	400	450	550	650	750	850	950	1050	1150	1350
H	407	456	604	607	720	780	875	1260	1480	1605	1788	1956	2168	2601
W	200	280	300	350	350	400	450	500	500	600	650	700	700	800
重量 Weight(Kg)	20	35	52	66	103	140	230	300	510	780	940	1300	1600	1850

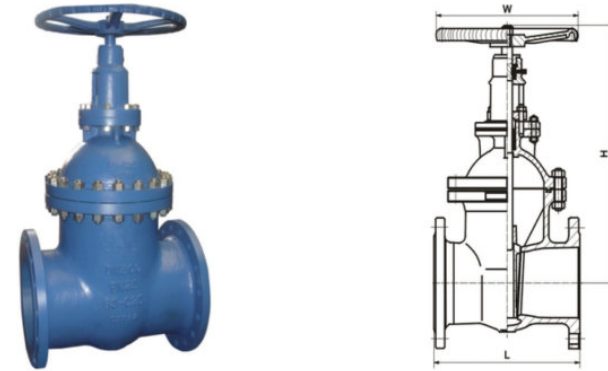


主要外形和连接尺寸/Main outline and connection dimensions

压力等级 Pressure (MPa)	PN1.6MPa													
口径 Size(mm)	50	65	80	100	125	150	200	250	300	350	400	450	500	600
L	150	170	180	190	200	210	230	250	270	290	310	330	350	390
H	305	354	402	437	496	541	699	815	914	1189	1350	1680	1907	2050
W	200	200	750	250	300	350	400	400	450	450	500	500	600	600
重量 Weight(Kg)	15	17	23	43	51	68	105	176	285	356	568	702	895	1045

主要外形和连接尺寸/Main outline and connection dimensions

压力等级 Pressure (MPa)	PN2.5MPa													
口径 Size(mm)	50	65	80	100	125	150	200	250	300	350	400	450	500	600
L	150	170	180	190	200	210	230	250	270	290	310	330	350	390
H	325	363	415	453	505	556	744	864	948	1269	1450	1680	1907	2050
W	200	200	250	300	350	400	450	500	550	600	600		600	600
重量 Weight(Kg)	20	30	39	58	80	101	190	290	405	510	650	702	895	1045

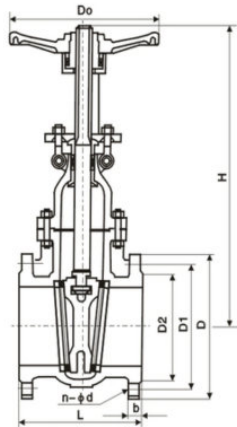


主要外形和连接尺寸/Main outline and connection dimensions

压力等级 Pressure (MPa)	PN1.6MPa											
口径 Size(mm)	50	65	80	100	125	150	200	250	300	350	400	
L	250	270	280	330	360	390	460	530	630	690	750	
H	305	354	402	437	496	541	699	815	914	1189	1350	
W	200	200	75	250	300	350	400	450	500	550	600	
重量 Weight(Kg)	20	30	38	56	75	100	182	278	398	500	618	

压力等级 Pressure (MPa)	PN2.5MPa											
口径 Size(mm)	50	65	80	100	125	150	200	250	300	350	400	
L	250	270	280	330	360	390	460	530	630	690	750	
H	325	363	415	453	505	556	744	865	948	1269	1450	
W	200	200	250	300	350	400	450	500	550	600	600	
重量 Weight(Kg)	20	30	39	58	80	101	190	290	405	510	650	

压力等级 Pressure (MPa)	PN4.0MPa											
口径 Size(mm)	50	65	80	100	125	150	200	250	300	350	400	
L	250	270	280	330	360	390	460	530	630	690	750	
H	325	370	430	480	532	589	783	888	965	1285	1512	
W	200	200	250	300	350	400	450	500	550	600	600	
重量 Weight(Kg)	22	31	41.5	61	83	110	210	318.5	430	520	680	

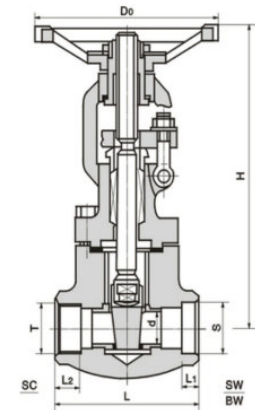


执行标准/Executive standard

设计与制造 Design and Manufacture	结构长度 Face to Face	法兰尺寸 Flange Dimension	压力-温度 Pressure Temperature Rating	试验-检验 Inspection and Test
JIS B2073 B2083	JIS B2002	JIS B2212 B2214	JIS B2073 B2083	JIS B2003

规格主要尺寸/Specifications Main Dimensions

DN		10k		
mm	in	L	H	D0
50	2	178	409	200
65	2 1/2	190	535	250
80	3	203	570	250
100	4	229	590	250
150	6	267	630	300
200	8	292	960	350
250	10	330	1158	400
300	12	356	1378	450
350	14	381	1543	500
400	16	406	1738	600
450	18	432	1959	600
500	20	457	2214	680
20k				
50	5	216	480	200
65	2 1/2	241	510	250
80	3	283	580	280
100	4	305	700	350
150	6	403	940	400
200	8	419	1190	450
250	10	457	1390	500
300	12	502	1600	500
350	14	762	1750	600
400	16	838	1900	600
450	18	914	2320	650



产品执行标准/Product execution standard

产品规范 Product Specification	设计规范 Design Spec	结构长度 Face to Face	连接法兰 Flange End	试验与检验 Test & Check	压力-温度 Pressure-Temp	产品标识 Marking	供货规范 Supply
	JB/T7746	JB/T7746	JB/T79	JB/T9092	GB/T9131	GB/T12220	JB/T7928

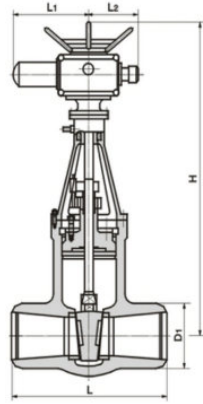
产品性能规范/Product performance specification

试验项目 Test item	强度试验 Shell test	密封试验 Seal test	气密封试验 Air seal test	适用温度℃ Applicable temperature	适用介质 Applicable medium
1.6	2.4	1.73	0.6	≤425℃	水、油品、蒸气 Water, oil, steam
2.5	3.8	2.75			
4.0	6.0	4.4			
6.4	9.6	7.04			
10.0	15.0	11.0			
16.0	24.0	17.6			

主要零件材料/Material of main parts

零件名称 Part Name	零部件材料 Part Material	
阀体/阀盖 Body/Bonnet	25	1Cr18Ni9Ti
闸板/闸瓣 Wedge/Disc	2Cr13	1Cr18Ni9Ti
阀杆 Stem	2Cr13	1Cr18Ni9Ti
密封圈 Seal Ring	1Cr13+HF	1Cr18Ni9Ti+STL
填料 Packing	柔性石墨/Flexible Graphite	聚四氟乙烯/PTFE
垫片 Gasket	18-8/柔性石墨/18-8Flexible Graphite	
螺栓 Bolt	35/35CrMo	1Cr18Ni9Ti
适用温度 Suitable Temp	-29 ~ 425℃	-40 ~ 200℃
适用介质 Suitable Medium	水、油品、蒸气 Water, Oil, Steam	硝酸类 Nitric Acid

Z960Y-100-320 P₅₄100V, P₅₄170V



产品执行标准/Product execution standard

产品规范 Product specification	设计规范 Design spec	结构长度 Face to Face	连接法兰 Flange End	试验与检验 Test & Check	压力-温度 Pressure-Temp	产品标识 Marking
	JB/T7746	JB/T7746	JB/T79	JB/T9092	GB/T9131	GB/T12220

产品性能规范/Product performance specification

产品型号 Product type	公称压力 PN(MPa) Nominal pressure	试验压力(MPa) Test pressure		工作压力(MPa) Working pressure	工作温度(°C) Working temperature	适用介质 Applicable medium
		强度试验 Shell test	密封试验/上密封 试验 Seal test			
Z960Y-250	25	37.5	27.5	-	≤425	水、蒸汽 Water, steam
Z960Y-320	32	48.0	36.0	-	≤425	
Z960Y-P54100	-	30.0	22.0	P5410	≤540	蒸汽 Steam
Z960Y-P54170	-	48.0	36.0	P5417	≤540	

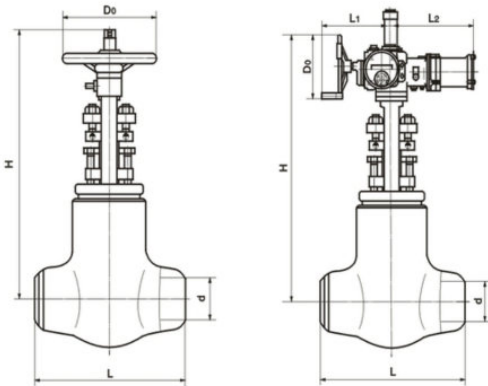
主要零件材料/Material of main parts

零件名称 Part name	材料牌号 Material designation		
阀体 Body	WCB	WC6	WC9
阀板 Disc	WCB	WC6	WC9
阀盖 Bonnet	25	12Cr1Mo1VA	
阀杆 Stem	1Cr17Ni2	20Cr1Mo1VA	
阀座 Seat	25	12Cr1Mo1VA	
密封环 Sealing ring	S软钢(增强柔性石墨) S soft steel (flexible graphite)	S软钢 S soft steel	F软钢 F Soft steel
填料 Packing	增强柔性石墨 Flexible graphite		
支架 Yoke	WCB	WCB或WC6	
阀杆螺母 Stem nut	45(ZCuZn25A16Fe3Mn3)		
四开环 Four piece ring	1Cr13	20Cr1Mo1VA	

主要外形和连接尺寸/Main outline and connection dimensions

单位Unit:mm

公称通径 DN	主要外形尺寸和连接尺寸 (mm) Main external and connecting dimensions					电动装置 Electric device	WT(kg)
	d	L	H	L1	L		
Z960Y-250							
100	84	406	1164	437	277	DZW45	234
125	100	483	1402	437	277	DZW60	343
175	158	711	1650	554	309	DZW180	638
225	200	864	1650	554	309	DZW180	654
300	280	1067	2106	764	398	DZW350	1973
Z960Y-320							
100	96	533	1236	437	277	DZW180	291
125	118	610	1302	437	277	DZW180	315
150	148	762	1403	526	283	DZW180	672
175	148	762	1650	554	309	DZW180	684
Z960Y-P54100V							
225	222	1041	1650	554	309	DZW250	696
175	148	762	1650	554	309	DZW60	683
225	222	1041	1650	554	309	DZW180	704
250	222	1041	1795	554	309	DZW500	1214
300	294	1245	2080	554	309	DZW500	2125
Z960Y-P54170V							
125	98	630	1230	437	277	DZWC60	312
225	186	1060	1680	554	309	DZW180	1401
300	278	1397	2265	764	398	SMC-3 DZW500	2834
325	310	1448	2265	690	688	DZW500	2632
350	338	1550	2536	715	688	SMC-4	5591



产品执行标准/Product execution standard

产品规范 Product Specification	设计规范 Design spec	结构长度 Face to Face	对焊连接 BW End	试验与检验 Test & Check	压力-温度 Pressure-Temp	产品标识 Marking	供货规范 Supply
	JB/T3595/E101	E101	78DG	E101	JB/T3595	GB/T12220	JB/T7928

产品性能规范/Product performance specification

壳体材料 Shell material	适用温度℃ Applicable temperature	适用介质 Applicable medium
ASTM A216 WCB	≤425	水、蒸汽 Water, steam
ASTM A217 WC1	≤450	水、蒸汽 Water, steam
ASTM A217 WC6	≤550	水、蒸汽 Water, steam
ASTM A217 WC9	≤590	水、蒸汽 Water, steam

主要零件材料/Material of main parts

零件名称 Part name	材料牌号 Material designation			
阀体 Body	WCB	WC1	WC6	WC9
阀板 Disc	WCB	WC1	WC6	WC9
阀盖 Bonnet	25 WCB	15Cr1Mo1VA WC1	12Cr1Mo1VA WC1	12Cr1Mo1VA WC9
阀座 Seat	25	15Cr1Mo1VA	12Cr1Mo1VA	12Cr1Mo1VA
阀杆 Stem	1Cr17Ni2	1Cr17Ni2	SUGG600 12Cr1Mo1VA	SUGG600 12Cr1Mo1CA
填料 Packing	增强柔性石墨 (Flexible graphite)			
支架 Yoke	WCB	WCB WC1	WCB WC6	WCB WC9
密封环 Sealing ring	S软钢(增强柔性石墨) S soft steel (Flexible graphite)		S软钢 S soft steel	F软钢 F soft steel
阀杆螺母 Stem nut	45(ZCuZn25A16Fe3Mn3)			

主要外形和连接尺寸/Main outline and connection dimensions

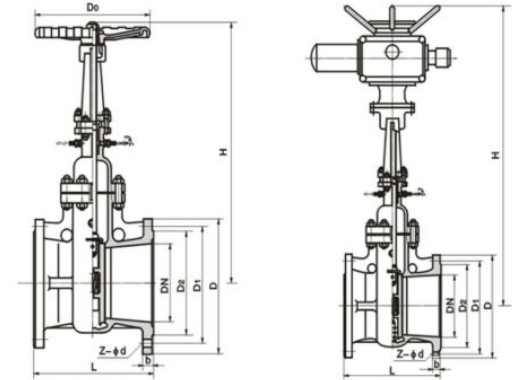
单位Unit:mm

公称通径DN	主要外形尺寸和连接尺寸(mm)Main external and connecting dimensions						电动装置 Electric actuators	WT(kg)
	d	L	H	D0	L1	L2		
Z960Y-1500Lb								
2 1/2	56	254	520	200	140	243	SMC-04	93
3	64	305	523	508	140	243	SMC-04	110
4	84	406	599 599	508 305	198 400	281 555	SMC-03 SMC-00	168 208
5	100	483	678 678	508 305	198 400	565 654	SMC-03 SMC-00	189 232
6	126	559	793 793	305 305	410 420	565 654	SMC-0 SMC-1	358 444
8	158	711	813 813	305 305	410 420	668 654	SMC-0 SMC-1	517 561
10	200	864	998 988	457 305	440 420	654 688	SMC-2 SMC-1	852 823
12	250	991	1141 1156	305 457	420 440	688 688	SMC-1 SMC-2	1122 1150
14	280	1067	1249	610	690		SMC-3	1760
16	319	1194	1351	610	690		SMC-3	2429
18	360	1346	1535 1540	610 610	690 715		SMC-3 SMC-4	2454 2524
20	406	1473	1726 1731	610 610	690 715		SMC-3 SMC-4	3334 3380
22	450	1600	1921 1926	610 610	690 715		SMC-3 SMC-4	4409 4648
Z960Y-2000Lb								
2 1/2	50	33	540	200	140	243	SMC-04	202
3	60	368	558	508	198	332	SMC-03	149
4	80	457	654	305	400	555	SMC-00	245
5	96	533	780 780	305 305	400 410	555 565	SMC-00 SMC-0	280 323
6	118	610	830	305	410	565	SMC-0	419
8	148	762	960 960	305 305	410 420	565 654	SMC-0 SMC-1	626 715
10	180	914	1020 1024	305 457	420 440	654 688	SMC-1 SMC-2	1020 1050
12	222	1041	1150 1166	457 610	440 690	688	SMC-2 SMC-3	1320 1358
14	254	1118	1230 1240	457 610	440 690	688	SMC-2 SMC-3	1810 1840
16	294	1245	1330 1350	610 610	690 715		SMC-3 SMC-4	2270 2300

主要外形和连接尺寸/Main outline and connection dimensions

单位Unit:mm

公称通径DN	主要外形尺寸和连接尺寸(mm)Main external and connecting dimensions						电动装置 Electric actuators	WT(kg)
	d	L	H	D0	L1	L2		
Z960Y--2500Lb								
2 1/2	46	330	533 533	508 200	198 140	332 243	SWC-03 SWC-04	143 116
3	54	368	549 549	508 200	198 140	332 243	SWC-03 SWC-04	160 134
4	70	457	653 644	508 305	198 140	332 565	SWC-03 SWC-0	251 294
5	86	533	760 774	305 305	400 400	555 565	SWC-00 SWC-0	324 341
6	104	610	850 861	305 305	400 410	555 565	SWC-00 SWC-0	479 564
8	130	762	847 860	305 305	410 420	565 654	SWC-0 SWC-1	725 750
10	162	814	1031 1050	305 610	420 690	654	SWC-1 SWC-3	1152 1220
12	210	1041	1125 1149	457 610	440 690	688	SWC-2 SWC-3	1520 1558
14	234	1118	1221	610	690		SWC-3	1869
16	264	1245	1390 1395	610 610	690 715		SWC-3 SWC-4	2826 3048
Z960Y--3500Lb								
3	44	440	620 620	508 305	198 400	332 555	SWC-03 SWC-00	269 305
4	56	540	721 730	305 305	400 410	555 565	SWC-00 SWC-0	398 437
5	74	616	769 769	305 305	410 420	565 654	SWC-0 SWC-1	507 592
6	88	692	857 857	305 305	410 420	565 654	SWC-0 SWC-1	605 691
8	116	846	1041 1051	305 457	420 440	654 688	SWC-1 SWC-2	1088 1179
10	142	1000	1197 1207	457 610	440 690	688	SWC-2 SWC-2	1700 2031
12	174	1124	1338	610	690		SWC-3	2708
14	196	1229	1455 1440	610 610	715 690		SWC-4 SWC-3	3180 3131
18	252	1499	1915	610	715		SWC-4	4560



主要外形和连接尺寸/Main outline and connection dimensions

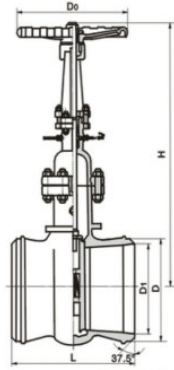
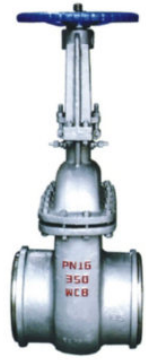
单位Unit:mm

公称通径 DN	L	a	H	PN1.6(MPa)				PN2.5(MPa)			
				D	D1	电动装置 Electric actuators	WT (kg)	D	D1	电动装置 Electric actuators	WT (kg)
50	250	37° 30'	620	58	50	DZW10	50	64	49	DZW10	54
65	270	37° 30'	714	75	65	DZW10	63	82	67	DZW10	66
80	280	37° 30'	765	91	79	DZW10	65	95	77	DZW10	68
100	300	37° 30'	840	110	97	DZW15	75	117	101	DZW15	80
125	325	37° 30'	852	136	121	DZW15	106	114	126	DZW20I	109
150	350	37° 30'	875	163	146	DZW20I	113	172	158	DZW20I	146
200	400	37° 30'	1015	223	202	DZW20	189	223	202	DZW30	191
250	450	37° 30'	1125	278	254	DZW30	214	278	254	DZW30	219
300	500	37° 30'	1371	330	305	DZW45	353	330	305	DZW45	257
350	550	37° 30'	1485	382	352	DZW60	602	382	352	DZW60	607
400	600	37° 30'	1890	432	399	DZW60	698	432	399	DZW60	705
450	650	37° 30'	1989	485	451	DZW90	713	485	451	DZW90	720
500	700	37° 30'	2041	535	501	DZW120	881	535	499	DZW120	888
600	800	37° 30'	2285	636	601	DZW180	1250	636	599	DZW180	1275
700	900	37° 30'	2347	726	691	DZW250	1938	726	689	DZW250	1946
800	1000	37° 30'	2593	826	791	DZW350	2562	826	789	DZW350	2574

注: PN1.6 (16) 阀门允许作为PN1.0 (10) 压力级选用。 Annotation:PN1.6(16)valve is permit be used as PN1.0 (10) .

DS/Z960H-40、64、100

公称通径 DN	L	D	a	PN4.0(MPa)				PN6.4(MPa)				PN10.0(MPa)			
				D1	H	电动装置 Electric actuators	WT (kg)	D1	H	电动装置 Electric actuators	WT (kg)	D1	H	电动装置 Electric actuators	WT (kg)
50	280	64	37° 30'	49	620	DZW10	56	50	622	DZW10	58	49	622	DZW10	58
65	310	83	37° 30'	67	714	DZW10	68	66	718	DZW15	71	67	718	DZW15	71
80	350	96	37° 30'	79	767	DZW15	73	77	770	DZW20I	74	75	770	DZW20I	77
100	400	117	37° 30'	101	845	DZW20I	82	99	845	DZW20I	85	97	845	DZW30I	89
125	450	144	37° 30'	126	852	DZW20I	108	129	852	DZW30	111	125	852	DZW30	113
150	550	172	37° 30'	152	875	DZW30	117	150	875	DZW30	117	145	965	DZW45	122
200	650	223	37° 30'	200	1015	DZW30	193	198	1105	DZW45	193	190	1105	DZW60	195
250	750	278	37° 30'	252	1215	DZW45	217	246	1215	DZW60	222	236	1237	DZW90I	235
300	850	330	37° 30'	302	1371	DZW60	357	294	1424	DZW90I	362	282	1424	DZW120I	370
350	950	382	37° 30'	350	1507	DZW90I	624	324	1507	DZW120I	631	334	1670	DZW180	641
400	1050	432	37° 30'	397	1912	DZW120	701	387	2075	DZW180	713	377	2075	DZW250	725



DS/Z60H-16、25

单位Unit:mm

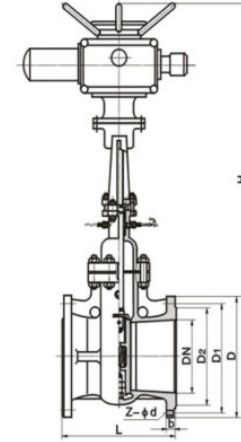
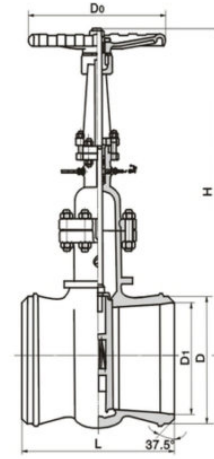
主要外形和连接尺寸/Main outline and connection dimensions

公称口径 DN	L	a	H	D0	PN1.6(MPa)			PN2.5(MPa)		
					D	D1	WT(kg)	D	D1	WT(kg)
50	250	37° 30'	334	250	58	50	19	64	49	23
65	270	37° 30'	439	250	75	65	32	82	67	35
80	280	37° 30'	495	300	91	79	34	95	77	37
100	300	37° 30'	575	350	110	97	44	117	101	49
125	325	37° 30'	587	350	136	121	75	144	126	78
150	350	37° 30'	607	350	163	146	82	172	158	105
200	400	37° 30'	740	400	223	202	158	223	202	160
250	450	37° 30'	863	400	278	254	184	278	254	188
300	500	37° 30'	990	400	330	305	245	330	305	249
350	550	37° 30'	1137	500	382	352	492	382	352	497
400	600	37° 30'	1523	500	432	399	588	432	399	592
450	650	37° 30'	1618	600	485	451	683	485	451	688
500	700	37° 30'	1657	600	535	501	846	535	499	853
600	800	37° 30'	1746	700	636	601	1013	636	599	1020

注：PN1.6 (16) 阀门允许作为PN1.0 (10) 压力级选用。 Annotation:PN1.6(16)valve is permit be used as PN1.0 (10) .

DS/Z60H-40、64、100

公称口径 DN	L	D	a	PN4.0(MPa)				PN6.4(MPa)				PN10.0(MPa)			
				D1	H	D0	WT(kg)	D1	H	D0	WT(kg)	D1	H	D0	WT(kg)
50	250	64	37° 30'	49	345	300	30	50	350	300	34	49	350	300	37
65	270	83	37° 30'	67	441	300	38	66	447	300	41	64	447	300	44
80	280	96	37° 30'	79	495	350	42	77	499	350	45	75	499	350	47
100	300	117	37° 30'	101	575	350	52	99	582	400	55	97	582	400	57
125	325	144	37° 30'	126	587	400	80	129	590	400	83	125	590	400	87
150	350	172	37° 30'	152	607	400	107	150	611	450	110	145	611	450	113
200	400	223	37° 30'	200	740	450	164	198	745	550	169	190	747	550	172
250	450	278	37° 30'	252	863	550	191	246	867	650	195	236	869	650	198
300	500	330	37° 30'	302	1008	650	254	294	1008	750	260	282	1013	750	265
350	550	382	37° 30'	350	1142	750	499	342	1148	800	504	334	1148	850	508
400	650	432	37° 30'	397	1527	850	598	387	1531	900	604	377	1533	950	610



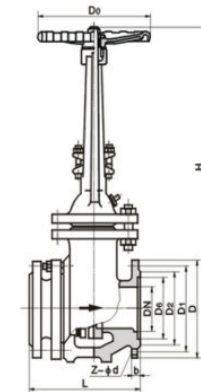
主要外形和连接尺寸/Main outline and connection dimensions

单位Unit:mm

公称口径 DN	主要外形尺寸和连接尺寸 (mm) Main external and connecting dimensions									手动 Manual		电动 Electrically			
	L	D	D1	D2	D6	f	b	f2	Z-φd	H	Do	WT(kg)	H	电动装置 Electric actuators	WT(kg)
S/Z44H-40 S/Z944H-40															
50	250	160	125	100	88	3	20	4	4-18	330	300	27	620	DZW10	55
65	270	180	145	120	110	3	22	4	4-16	435	300	38	714	DZW10	65
80	280	195	160	135	121	3	22	4	8-18	491	350	42	765	DZW15	70
100	300	230	190	160	150	3	24	4.5	8-23	573	350	57	840	DZW20I	86
125	325	270	220	188	176	3	28	4.5	8-25	582	400	91	852	DZW20I	120
150	350	300	250	218	204	3	30	4.5	8-25	605	400	110	875	DZW30	138
200	400	375	320	282	260	3	38	4.5	12-30	739	450	169	1015	DZW30	200
250	450	445	385	345	313	3	42	4.5	12-34	862	550	207	1225	DZW40	298
300	500	510	450	400	364	4	46	4.5	16-34	990	650	266	1374	DZW60	383
350	550	570	510	465	422	4	52	5	16-34	1139	750	513	1507	DZW90I	601
400	600	655	585	535	474	4	58	5	16-41	1523	850	627	1912	DZW120	866

主要外形和连接尺寸/Main outline and connection dimensions

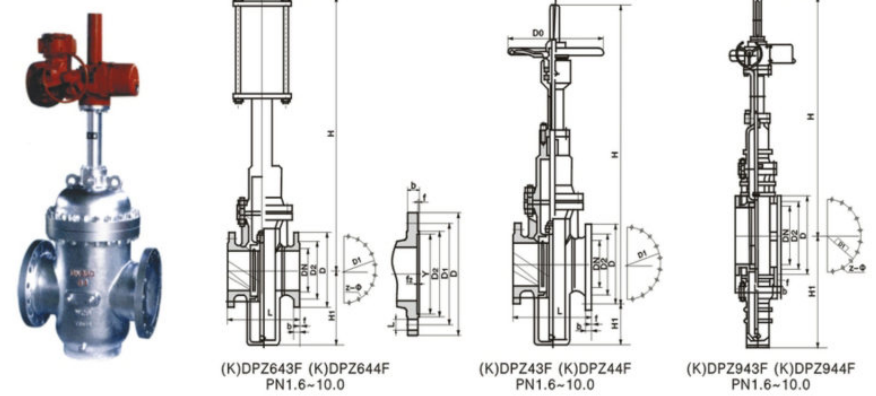
公称 口径 DN	主要外形尺寸和连接尺寸 (mm) Main external and connecting dimensions										手动 Manuall			电动 Electricly		
	L	D	D1	D2	D6	f	b	f2	Z-φd	H	Do	WT (kg)	H	电动装置 Electric actuators	WT (kg)	
DS/Z40H-64 DS/Z940H-64																
50	250	175	135	105	88	3	26	4	4-23	337	300	30	622	DZW10	58	
65	280	200	160	130	110	3	28	4	8-23	441	300	41	714	DZW15	69	
80	310	210	170	140	121	3	30	4	8-23	496	350	45	765	DZW20I	73	
100	350	250	200	168	150	3	32	4.5	8-25	578	400	62	840	DZW20I	90	
125	400	295	240	202	176	3	36	4.5	8-30	588	400	97	852	DZW30	124	
150	450	340	280	240	204	3	38	4.5	8-34	610	450	115	875	DZW30	142	
200	550	405	345	300	260	3	44	4.5	12-34	744	550	172	1195	DZW45	270	
250	650	470	400	352	313	3	48	4.5	12-41	867	650	211	1225	DZW60	317	
300	750	530	460	412	364	4	54	4.5	16-41	996	750	271	1393	DZW90O	399	
350	850	595	525	475	422	4	50	5	16-41	1142	850	518	1507	DZW120I	647	
400	950	670	585	525	474	4	66	5	16-48	1537	900	633	2075	DZW180	882	
DS/Z40H-100 DS/Z940H-100																
50	250	195	145	112	88	3	28	4	4-25	337	300	34	622	DZW10	62	
65	280	220	170	138	110	3	32	4	8-25	441	300	46	714	DZW15	74	
80	310	230	180	148	121	3	34	4	8-25	496	350	50	765	DZW20I	78	
100	350	265	210	172	150	3	38	4.5	8-30	578	400	67	840	DZW30I	95	
125	400	310	250	210	176	3	42	4.5	8-34	588	400	102	852	DZW30	129	
150	450	350	290	250	204	3	46	4.5	12-34	610	450	121	875	DZW45	221	
200	550	430	360	312	260	3	54	4.5	12-41	744	550	178	1195	DZW60	235	
250	650	500	430	382	313	3	60	4.5	12-41	867	650	217	1225	DZW90I	345	
300	750	585	500	442	364	4	70	4.5	16-48	996	750	278	1393	DZW120I	409	
350	850	655	560	498	422	4	76	5	16-54	1142	850	524	1507	DZW180	773	
400	950	715	620	558	474	4	80	5	16-54	1537	950	640	2075	DZW250	892	



主要外形和连接尺寸/Main outline and connection dimensions

单位Unit:mm

公称压力PN	公称口径DN	L	D	D1	D2	D6	b	f	Z-φd	H	Do	WT(kg)
1.6MPa	50	250	160	125	100	-	16	3	4-18	335	250	60
	80	280	195	160	135	-	20	3	8-18	510	280	78
	100	300	215	180	155	-	20	3	8-18	685	300	96
	150	350	280	240	210	-	24	3	8-23	790	300	158
	200	400	335	295	265	-	26	3	12-23	885	350	222
	250	450	405	355	320	-	30	3	12-25	1015	400	289
	300	500	460	410	375	-	30	3	12-25	1190	450	365
	350	550	520	470	435	-	34	4	16-25	1350	500	558
	400	600	580	525	485	-	36	4	16-25	1460	500	850
	450	650	640	585	545	-	40	4	20-30	1620	550	1164
2.5MPa	50	250	160	125	100	-	20	3	4-18	335	250	99
	80	280	195	160	135	-	22	3	8-18	510	280	118
	100	300	230	190	160	-	24	3	8-23	685	300	147
	150	350	300	250	218	-	30	3	8-25	790	300	204
	200	400	360	310	278	-	34	3	12-25	885	350	273
	250	450	425	370	332	-	36	3	12-30	1015	400	373
	300	500	485	430	390	-	40	4	16-30	1190	450	478
	350	550	550	490	448	-	44	4	16-34	1350	500	680
	400	600	610	550	505	-	48	4	16-34	1460	500	1008
	450	650	660	600	555	-	50	4	20-34	1620	550	1344
4.0MPa	50	250	160	125	100	88	20	3	4-18	3400	250	98
	80	310	195	160	135	121	22	3	8-18	508	300	126
	100	350	230	190	160	150	24	3	8-23	680	300	156
	150	450	300	250	218	204	30	3	8-25	800	400	228
	200	550	375	320	282	260	38	3	12-30	875	500	298
	250	650	445	385	345	313	42	3	12-34	1010	500	372
	300	750	510	450	408	364	46	4	16-34	1180	550	450
	350	850	570	510	465	422	52	4	16-34	1145	600	530
	400	950	655	585	535	474	58	4	16-41	1280	600	610
	450	1050	680	610	560	524	60	4	20-41	1415	700	690
6.4MPa	50	250	175	135	105	-	26	3	4-23	340	250	142
	80	310	210	170	140	-	30	3	8-23	508	300	168
	100	350	250	200	168	-	32	3	8-25	680	300	210
	150	450	340	280	240	-	38	3	8-34	800	400	270
	200	550	405	345	300	-	44	3	12-34	875	500	367
	250	650	470	400	352	-	48	3	12-41	1010	500	450
	300	750	530	460	415	-	54	4	16-41	1180	550	532
	350	850	595	525	475	-	60	4	16-41	1145	600	548
	400	950	670	585	525	-	66	4	16-48	1280	600	615
	450	1050	715	630	570	-	70	4	20-48	1415	700	695
500	1150	800	705	610	-	76	4	20-54	1560	750	778	



(K)DPZ643F (K)DPZ644F PN1.6-10.0
(K)DPZ43F (K)DPZ44F PN1.6-10.0
(K)DPZ943F (K)DPZ944F PN1.6-10.0

产品执行标准/Product execution standard

产品规范 Product Specification	设计规范 Design spec	结构长度 Face to Face	连接法兰 Flange End	试验与检验 Test & Check	压力-温度 Pressure-Temp	产品标识 Marking
	JB/T 5298	JB/T 5298	JB/T 79	JB/T 5298	GB9131	GB/T 12220
API6D	API6D	ANSI B16.5	API6D	ANSI B16.34	MSS SP-25	

产品性能规范/Product performance specification

压力等级	常温下压力试验 (MPa)					适用温度 °C Applicable temperature			适用介质 Applicable medium	
	壳体	左密封	右密封	低压密封		"G"型	"D"型	普通型	"抗硫"型	"基本"型
公称压力 (PN)	1.6	2.4	1.76	1.76	0.6	-29~250	-46~121	-29~121	含H ₂ O和 Co ₂ 500Mg/m ³ 的介质	石油 天然气、 水等
	2.5	3.75	2.75	2.75	0.6					
	4.0	6.0	4.4	4.4	0.6					
	6.4	9.6	7.04	7.04	0.6					
磅级 Lb	150	3.1	2.3	2.3	0.6					
	300	5.52	7.6	5.52	0.6					

主要零件材料/Material of main parts

零件名称 Part name	零部件材料 Part Material			
	JB/T7298		API 6D	
阀门/阀盖 Body/Bonnet	WCB	WC6	A352-LCB	A351-CF8M
阀板 Disc	2Cr13+ENP	20CrMoV+STL	ANSI 410+ENP	ANSI 316+ENP
阀杆 Stem	2Cr13	2Cr13	A182-F6a	A182-F316S
阀座 Seat	25+PTFE	20CrMoV+STL	A105+PTFE	A182-F316+PTFE
填料 Packing	NBR/FPM	柔性石墨/Flexible Graphite		聚四氟乙烯/PTFE+FPM
垫片 Gasket	18-8/柔性石墨/18-8/Flexible Graphite			
螺栓 Bolt	35	35CrMo	A193-B7M	A193-B7M
适用温度 Suitable Temp.	-29~250°C	-29~550°C	-46~350°C	-46~200°C
适用介质 Suitable Medium	水、油品 Water, Oil,	蒸气、油品 Steam, Oil	丙烷、乙烯 Steam, Oil	硝酸类 Nitric Acid

主要外形和连接尺寸/Main outline and connection dimensions

单位 Unit: mm

公称压力 PN	DN	L	D	D1	D2	D0	f	b	H	H1	Z-Φ
1.6MPa	50	178	160	125	100	250	3	16	584	80	4-18
	65	190	180	145	120	250	3	18	634	95	4-18
	80	203	195	160	135	250	3	20	688	100	8-18
	100	229	215	180	155	300	3	20	863	114	8-18
	125	254	245	210	185	350	3	22	940	132	8-18
	150	267	280	240	210	350	3	24	1030	150	8-23
	200	292	335	295	265	350	3	26	1277	168	12-23
	250	330	405	355	320	400	3	30	1491	203	12-25
	300	356	460	410	375	450	4	30	1701	237	12-25
	350	381	520	470	435	500	4	34	1875	265	16-25
	400	406	580	525	485	500	4	36	2180	300	16-30
	450	432	640	585	545	500	4	40	2440	325	20-30
	500	457	705	650	608	500	4	44	2860	360	20-34
	600	508	840	770	718	500	5	48	3450	425	20-41
	700	610	910	840	788	500	5	50	3960	460	24-41
	800	660	1020	950	898	500	5	52	4550	512	24-41
	900	711	1120	1050	998	500	5	54	5250	565	28-41
1000	811	1255	1170	1110	500	5	56	5870	630	28-48	

2.5MPa	50	178	160	125	100	250	3	20	584	80	4-18
	65	190	180	145	120	300	3	22	634	95	8-18
	80	203	195	160	135	350	3	22	688	100	8-18
	100	229	230	190	160	350	3	24	863	114	8-23
	125	254	270	220	188	350	3	28	940	132	8-25
	150	267	300	250	218	400	3	30	1030	150	8-25
	200	292	360	310	278	450	3	34	1277	168	12-25
	250	330	425	370	332	500	3	36	1491	203	12-30
	300	356	485	430	390	500	4	40	1701	237	16-30
	350	381	550	490	448	500	4	44	1875	265	16-34
	400	406	610	550	505	500	4	48	2180	300	16-34
	450	432	660	600	555	500	4	50	2440	325	20-34
	500	457	730	660	610	500	4	52	2860	360	20-41
	600	508	840	770	718	500	5	56	3450	425	20-41
	700	610	955	875	815	500	5	60	3960	460	24-48
	800	660	1070	990	930	500	5	64	4550	512	24-48
	900	711	1180	1090	1025		5	66	5250	595	28-54
1000	811	1305	1210	1140		5	68	5870	660	28-58	

有导流孔平板闸阀

Flat gate valve with diversion hole

法兰连接高压平板闸阀

Flanged high pressure flat gate valve

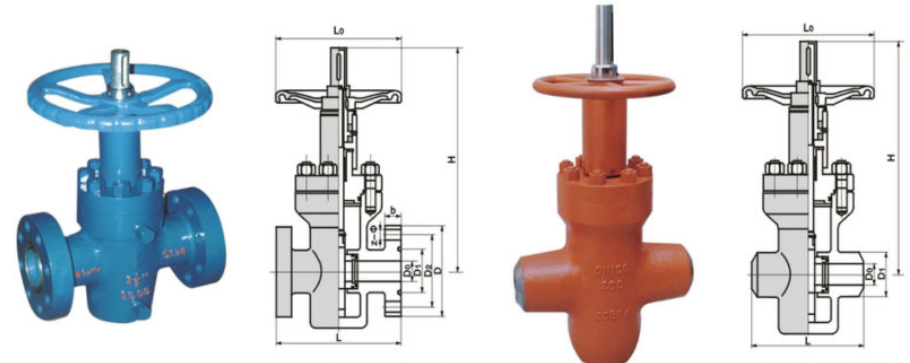
主要外形和连接尺寸/Main outline and connection dimensions

单位Unit:mm

公称压力 PN	DN	L	D	D1	D2	Y	D0	f	f ₂	b	H	H1	Z-Φ
4.0MPa	50	250	160	125	100	88	250	3	4	20	584	80	4-18
	65	280	180	145	120	110	250	3	4	22	634	95	8-18
	80	310	195	160	135	121	250	3	4	22	679	102	8-18
	100	350	230	190	160	150	300	3	4.5	24	863	115	8-23
	125	400	270	220	188	176	350	3	4.5	28	940	133	8-25
	150	450	300	250	218	204	350	3	4.5	30	1040	152	8-25
	200	550	375	320	282	260	350	3	4.5	38	1282	188	12-30
	250	650	445	385	345	313	400	3	4.5	42	1495	223	12-34
	300	750	510	450	408	364	450	4	4.5	46	1701	250	16-34
	350	850	570	510	465	422	500	4	5	52	1880	280	16-41
	400	950	655	585	535	474	305	4	5	58	2200	310	20-41
	450	1050	680	610	560	524	305	4	5	60	2480	335	20-41
500	1150	755	670	612	576	305	4	5	62	2890	380	20-48	
600	1350	890	795	730	678	305	5	6	62	3460	450	20-54	
700	1450	995	900	835	768	305	5	6	68	3985	500	24-54	
800	1650	1135	1030	960	876	305	5	6	76	4750	570	24-58	

6.4MPa	50	250	175	135	105	88	250	3	4	26	584	90	4-23
	65	280	200	160	130	110	250	3	4	28	634	105	8-23
	80	310	210	170	140	121	250	3	4	30	679	110	8-23
	100	350	250	200	168	150	300	3	4.5	32	763	130	8-25
	125	400	295	240	202	176	350	3	4.5	36	970	150	8-30
	150	450	340	280	240	204	350	3	4.5	38	1038	175	8-34
	200	550	405	345	300	260	350	3	4.5	44	1282	210	12-34
	250	650	470	400	352	313	400	3	4.5	48	1495	240	12-41
	300	750	530	460	412	364	450	4	4.5	54	1965	270	16-41
	350	850	595	525	475	422	500	4	5	60	2185	300	16-41
	400	950	670	585	525	474	305	4	5	66	2573	335	16-48
	450	1050	715	630	570	524	305	4	5	68	2800	360	20-48
500	1150	800	705	640	576	305	4	5	70	3280	405	20-54	
600	1350	930	820	750	678	305	5	6	76	3800	470	20-58	

10.0MPa	50	250	195	145	112	88	250	3	4	28	590	100	4-25
	65	280	220	170	138	110	250	3	4	32	640	115	8-25
	80	310	230	180	148	121	250	3	4	34	680	120	8-25
	100	350	265	210	172	150	300	3	4.5	38	870	135	8-30
	125	400	310	250	210	176	350	3	4.5	42	980	155	8-34
	150	450	350	290	250	204	350	3	4.5	46	1100	180	12-34
	200	550	430	360	312	260	350	3	4.5	54	1315	220	12-41
	250	650	500	430	382	313	400	3	4.5	60	1605	255	12-41
	300	750	585	500	442	364	450	4	4.5	70	1925	295	16-48
	350	850	665	560	498	422	500	4	5	76	2280	335	16-54
	400	950	715	620	558	474	305	4	5	80	2580	360	16-54



GPZ43Y油田专用高压平板闸阀

GPZ63Y油田专用高压平板闸阀

主要外形和连接尺寸/Main outline and connection dimensions

单位Unit:mm

公称压力 PN	公称口径 DN	L	H	D0	D1	D2	D	b	Z-Φ	L0
16MPa 22MPa	25	210	345	25	50.8	101.5	150	29	4-26	200
	32	240	350	29	60.32	111.0	160	29	4-26	220
	40	260	380	36	68.28	124.0	180	32	4-29.5	280
	50	300	400	45	95.25	165.0	215	38.5	8-26	300
	65	320	440	58	107.95	190.5	245	41.5	8-29.5	350
	80	360	500	72	123.82	190.5	240	38.5	8-26	360
25MPa 35MPa	100	450	540	90	149.22	235.0	290	44.5	8-32.5	400
	150	560	620	135	211.12	317.5	380	56	12-32.5	450

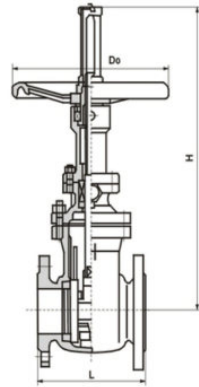
25MPa 35MPa	25	220	345	25	50.8	101.5	150	29	4-26	200
	32	250	350	29	60.32	111.0	160	29	4-26	220
	40	270	380	36	68.28	124.0	180	32	4-29.5	280
	50	310	400	45	95.25	165.0	215	38.5	8-26	300
	65	340	440	58	107.95	190.5	245	41.5	8-29.5	350
	80	380	500	72	136.25	203.0	265	48	8-32.5	360
25MPa 35MPa	100	480	540	90	161.92	241.5	310	54	8-35.5	400
	150	580	620	135	211.12	317.5	395	83	12-39	450

主要外形和连接尺寸/Main outline and connection dimensions

单位Unit:mm

公称压力 PN	公称口径 DN	L	H	D0	D1	L0
16MPa 22MPa	25	160	345	25	42	200
	32	180	350	29	54	220
	40	210	380	36	60	280
	50	230	400	45	73	300
	65	250	440	58	89	350
	80	270	500	72	108	360
25MPa 35MPa	100	320	540	90	133	400
	150	500	620	135	192	450

25MPa 35MPa	25	160	345	25	42	200
	32	180	350	29	56	220
	40	210	380	36	64	280
	50	230	400	45	76	300
	65	250	440	58	89	350
	80	270	500	72	114	360
25MPa 35MPa	100	320	540	90	146	400
	150	500	620	135	192	450



ZBPZ44Y自动补偿平衡式双平板闸阀

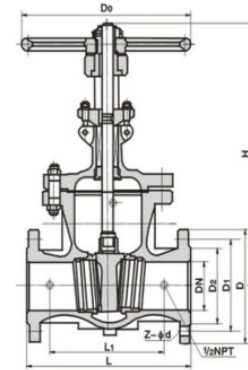
主要外形和连接尺寸/Main outline and connection dimensions 单位Unit:mm

公称压力 PN	主要外形尺寸和连接尺寸 (mm) Main external and connecting dimensions														
	DN	50	65	80	100	125	150	200	250	300	350	400	450	500	600
1.6MPa	L	250	265	280	300	325	350	400	450	500	550	600	650	700	800
	H	417	452	530	607	614	850	1060	1225	1415	1630	1780	2050	2181	2599
	D0	240	240	280	300	300	350	400	450	500	500	600	720	720	720
	WT (Kg)	22	30	44	47	76	96	160	228	300	388	566	900	958	1410

2.5MPa	L	250	265	280	300	325	350	400	450	500	550	600	650	700	800
	H	417	452	567	590	756	880	1041	1260	1415	1630	1780	2050	2181	2599
	D0	240	240	280	320	320	400	400	450	500	500	600	720	720	720
	WT (Kg)	23	32	46	67	78	112	218	290	324	423	566	900	958	1410

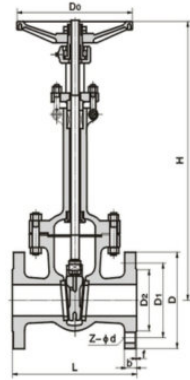
4.0MPa	L	250	280	310	350	400	450	550	650	750	850	950	1050	1150	1350
	H	417	452	567	590	776	885	1065	1250	1531	1700	1770	1820	1880	2200
	D0	240	240	280	320	350	400	500	550	640	640	640	680	680	680
	WT (Kg)	28	35	47	68	115	150	235	374	550	890	1235	1400	1506	1780

6.4MPa	L	250	280	310	350	400	450	550	650	750	850	950			
	H	505	545	605	665	780	980	1120	1332	1680	1745	1820			
	D0	280	280	320	400	400	450	550	550	640	640	680			
	WT (Kg)	44	64	84	119	174	266	388	500	550	898	1234			



主要外形和连接尺寸/Main outline and connection dimensions 单位Unit:mm

公称通径 DN	主要外形尺寸和连接尺寸 (mm) Main external and connecting dimensions								WT (Kg)
	L	D	D1	D2	b	Z-φd	H	D0	
BZ41H-16C BZ41W-16P BZ41W-16R									
40	200	160	125	100	18	4-φ18	310	200	49
50	250	180	145	120	18	4-φ18	358	240	54
65	265	195	160	135	20	8-φ18	373	240	81
80	280	215	180	155	20	8-φ18	435	280	100
100	300	245	210	185	22	8-φ18	500	300	120
125	325	280	240	210	24	8-φ23	614	320	210
150	350	335	295	265	26	12-φ23	674	360	260
200	400	405	355	320	30	12-φ25	818	400	300
250	450	460	410	375	30	12-φ25	969	450	400
300	500	520	470	435	34	16-φ25	1145	560	490
BZ41H-25 BZ41W-25P BZ41W-25R									
40	200	160	125	100	20	4-φ18	358	240	52
50	250	180	145	120	22	8-φ18	373	240	56
65	265	195	160	135	22	8-φ18	435	280	86
80	280	230	190	160	24	8-φ18	500	300	105
100	300	270	220	188	28	8-φ15	614	320	170
125	325	300	250	218	30	8-φ25	674	360	245
150	350	360	310	278	34	12-φ25	818	400	270
200	400	425	370	332	36	12-φ30	969	450	380
250	450	485	430	390	40	12-φ30	1145	560	535
300	500	550	490	448	44	16-φ34	1145	640	546



主要外形和连接尺寸/Main outline and connection dimensions

单位Unit:mm

公称通径 DN	L	D	D1	D2	b	Z-φd	H	D0	WT(Kg)
DZ40Y-16C DZ40Y-16P									
20	150	105	75	55	14	4-φ14	320	140	6
25	160	115	85	65	14	4-φ14	350	160	7
32	180	135	100	78	16	4-φ18	385	180	9
40	200	145	110	85	16	4-φ18	420	200	15
50	250	160	125	100	16	4-φ18	540	240	30
65	265	180	145	120	18	4-φ18	610	240	34
80	280	195	160	135	20	8-φ18	690	280	45
100	300	215	180	155	20	8-φ18	780	300	64
125	325	245	210	185	22	8-φ18	930	320	110
150	350	280	240	210	24	8-φ23	980	360	135
200	400	335	295	265	26	12-φ23	1180	400	195
250	450	405	355	320	30	12-φ25	1390	450	275
300	500	460	410	375	30	12-φ25	1620	560	380
350	550	520	470	425	34	16-φ25	1810	640	594
400	600	580	525	485	36	16-φ30	1970	640	725
DZ40Y-25C DZ40Y-25P									
20	150	105	75	55	16	4-φ14	320	140	6
25	160	115	85	65	16	4-φ14	350	160	8
32	180	135	100	78	18	4-φ18	385	180	10
40	200	145	110	85	18	4-φ18	420	200	16
50	250	160	125	100	20	4-φ18	540	240	30
65	265	180	145	120	22	8-φ18	610	240	35
80	280	195	160	135	22	8-φ18	690	280	47
100	300	230	190	160	24	8-φ23	780	300	65
125	325	270	220	188	28	8-φ25	930	320	110
150	350	300	250	218	30	8-φ25	980	360	135
200	400	360	310	278	34	12-φ25	1180	400	215
250	450	425	370	332	36	12-φ30	1390	450	295
300	500	485	430	390	40	16-φ30	1620	560	400
350	550	550	490	448	44	16-φ34	1810	640	630
400	600	610	550	505	48	16-φ34	1990	640	910

主要外形和连接尺寸/Main outline and connection dimensions

单位Unit:mm

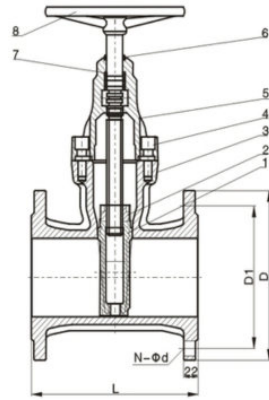
公称通径 DN	L	D	D1	D2	D6	b	Z-φd	H	D0	WT(Kg)
DZ40Y-40C DZ40Y-40P										
20	150	105	75	55	51	16	4-φ14	330	140	7
25	160	115	85	65	58	16	4-φ14	360	160	9
32	180	135	100	78	66	18	4-φ18	440	180	11
40	200	145	110	85	76	18	4-φ18	455	200	19
50	250	160	125	100	88	20	4-φ18	575	280	28
65	280	180	145	120	110	22	8-φ18	635	280	35
80	310	195	160	135	121	22	8-φ18	715	320	50
100	350	230	190	160	150	24	8-φ23	815	360	74
125	400	270	220	188	176	28	8-φ25	965	400	115
150	450	300	250	218	204	30	8-φ25	1025	400	135
200	550	375	320	282	260	38	12-φ30	1225	450	215
250	650	445	385	345	313	42	12-φ34	1440	560	184
300	750	510	450	408	346	46	16-φ34	1665	640	405
350	850	570	510	465	422	52	16-φ34	1880	640	600
400	950	655	585	535	474	58	16-φ41	2050	720	750

公称通径 DN	L	D	D1	D2	D6	b	Z-φd	H	D0	WT(Kg)
DZ40Y-64C DZ40Y-64P										
20	190	125	90	68	51	20	4-φ18	330	100	8
25	210	135	100	78	58	22	4-φ18	360	180	13
32	230	150	110	82	66	24	4-φ23	410	180	24
40	240	165	125	95	76	24	4-φ23	480	200	32
50	250	175	135	105	88	26	4-φ23	585	200	39
65	280	200	160	160	110	28	8-φ23	690	250	45
80	310	210	170	140	121	30	8-φ23	745	300	60
100	350	250	200	168	150	32	8-φ25	885	300	90
125	400	295	240	202	176	36	8-φ30	985	350	140
150	450	340	280	240	204	38	8-φ34	1050	350	205
200	550	405	345	300	260	44	12-φ34	1240	400	330
250	650	470	400	352	313	48	12-φ41	1460	560	468
300	750	530	460	412	364	54	16-φ41	1690	640	600

公称通径 DN	L	D	D1	D2	D6	b	Z-φd	H	D0	WT(Kg)
DZ40Y-100C DZ40Y-100P										
25	210	135	100	78	58	24	4-φ18	365	200	18
32	230	150	110	82	66	24	4-φ23	420	240	27
50	250	195	145	112	88	28	4-φ25	630	360	45
65	280	220	170	138	110	32	8-φ25	700	400	60
80	310	230	180	148	121	34	8-φ25	760	400	76
100	350	265	210	172	150	38	8-φ30	900	400	128

注:低温阀订货时注意工作温度,根据温度选用不同的材料。

Remark: Please indicate the Operating temperature, place an order to cryogenic valve. According to temperature, choose different material.



主要零部件材料/Material of main parts

序号NO.	名称 Name	材料 Material
1	闸板 Disc	不锈钢 Stianless Steel
2	支撑螺母 nut	不锈钢 Stianless Steel
3	阀体 Valve body	球墨铸铁 spheroidal cast iron
4	六角螺栓 Yoke sleeve	不锈钢 Stianless Steel
5	阀盖 valve bonnet	球墨铸铁 spheroidal cast iron
6	防尘罩 dust-proofcover	NBR
7	O型密封圈 seal ring	NBR
8	手轮 Hand wheel	铸铁 cast iron

外形尺寸/Overall dimensions

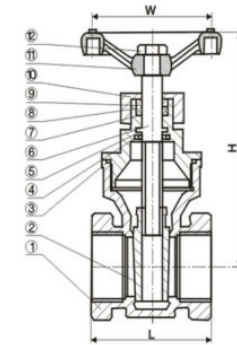
产品型号 Type	公称通径(DN) Nominal Diameter	D		D1		N-φd		L
		1.0MPa	1.6MPa	1.0MPa	1.6MPa	1.0MPa	1.6MPa	
Z45X	50	165		125		4-19		180
	65	185		145		4-19		195
	80	200		160		8-19		210
	100	220		180		8-19		230
	125	250		210		8-19		255
	150	285		240		8-23		280
SZ45X	200	340		295		8-23	12-23	330
	250	405		350	355	12-23	12-28	380
	300	460		400	410	12-23	12-28	420
	350	520		460	470	16-23	16-28	450
	400	580		515	525	16-28	16-31	480
	450	640		565	585	20-28	20-31	510
	500	710		620	650	20-28	20-34	550
	600	840		725	770	20-31	30-37	600

特点:

全通径流量
产品规格从1/2"到2"
工作压力:200PSI
内螺纹端可按BSPT、NPT、DIN2999制造

Feature

Full Bore
Size: 1/2" to2"
Working Pressure: 200PSI
Female Threaded End: BSPT、NPT、DIN2999



材料列表/Material list

No	部件名称 Part Name	材料 Material	
1	阀体 Body	CF8M	CF8
2	闸板 Disc	CF8M	CF8
3	密封圈 Seal Ring	SS316	SS316
4	卡簧 Snap Spring	316	
5	弹垫 Washer	PTFE	
6	杆 Stern	SS316	SS316
7	阀盖 Bonnet	CF8M	CF8
8	填料 Packing	PTFE	
9	垫片 Gasket	PTFE	
10	压盖螺母 Gland Nut	SS316	
11	手轮 Hand wheel	HT(C.R)	
12	螺母 Nut	SS316	

尺寸列表/Size list

单位Unit:mm

NPS	d	H	L	W
1/2"	15	94	56.5	70
3/4"	20	102	60	70
1"	25	114	68	80
1-1/4"	32	124	75.5	80
1-1/2"	40	152.5	80	100
2"	50	169.5	90.5	100



简介/Introduction

为确保产品质量,我们将对阀门进行渗透检测。图片为铜闸阀的渗透检测(PT),是无损检测,渗透检测的主要应用是检查金属(钢、铝合金、镁合金、铜合金、耐热合金等)的表面开口缺陷。)和非金属(塑料、陶瓷等)工件的表面裂纹等。在工业产品的制造和运行过程中,表面可能会产生宽度为十分之几微米的表面裂纹。断裂力学研究表明,这些微裂纹可能是在恶劣工作条件下造成设备损坏的裂纹来源。图中看到的裂纹是浇注口,不是阀体上真正的裂纹,属于正常现象。我们将在处理完浇注口后再次进行渗透测试,以确保阀体表面没有裂纹。对于发现裂纹的阀门,我们将报废铸件。

In order to ensure the quality of the product, we will conduct penetrant testing inspection for valves. Pictures are penetrant testing (PT) for copper gate valve, it is nondestructive testing, the main application of penetration testing is to check the surface opening defects of metal (steel, aluminum alloy, magnesium alloy, copper alloy, heat-resistant alloy, etc.) and non-metal (plastic, ceramic, etc.) workpieces, such as surface cracks. During the manufacturing and operation of industrial products, surface cracks with a width of a few tenths of a micrometer may be generated on the surface. Fracture mechanics studies have shown that these micro-cracks can be the source of cracks that cause equipment damage under harsh working conditions. The crack seen in the picture is casting inlet, it's not a real crack on the valve body, it is normal phenomenon. We will make penetration testing again after processed the casting inlet, to ensure that there are no cracks on the surface of the valve body. For valves that found the cracks, we will scrap the castings.

描述/Describe

尺寸 Size	2" ~ 24"	DN50 ~ DN600
压力 Pressure	CL150 ~ CL300	PN6 ~ PN40
连接方式 Connection method	法兰(FLG)、螺纹(NPT/G)、卡箍(CLAMP)	
材质 Material	ASME B16.24、ASTM B505等相关标准	
标准 Standard	API-600、BS 5154、ASME B16.34、EN12516、EN12288等	



简介/Introduction

楔形闸阀通常用作油、气、水、海水和蒸汽管线中的开关和隔离阀。它们用于全开或全关,不适合节流。

Wedge Gate Valves are commonly used as on-off and isolation valves in oil, gas, water, sea water and steam lines. They are used fully open or fully close and not suitable for throttling.

描述/Describe

尺寸 Size	压力 Pressure	连接方式 Connect Type	材质 Material	标准 Standard
1-1/4"~56" DN32~DN1400	CL150 PN6~PN25	法兰(FLG) 承插焊(SW)	ASME B16.34	API-600
1-1/4"~48" DN32~DN1200	CL300 PN40	承插焊(BW)	C95800	ASME B16.34
1-1/4"~48" DN32~DN1200	CL400~CL600 PN63~PN100	螺纹(NPT/G)	C63200	API603
1-1/4"~36" DN32~DN900	CL900~CL1500 PN160~PN250	卡箍(CLAMP)	钛合金(Titanium Alloy) 、特殊材质 (Special materials)	API6D、 ISO 14313
1-1/4"~24" DN32~DN600	CL2500 PN320 PN400			EN1984、 GB/T12234